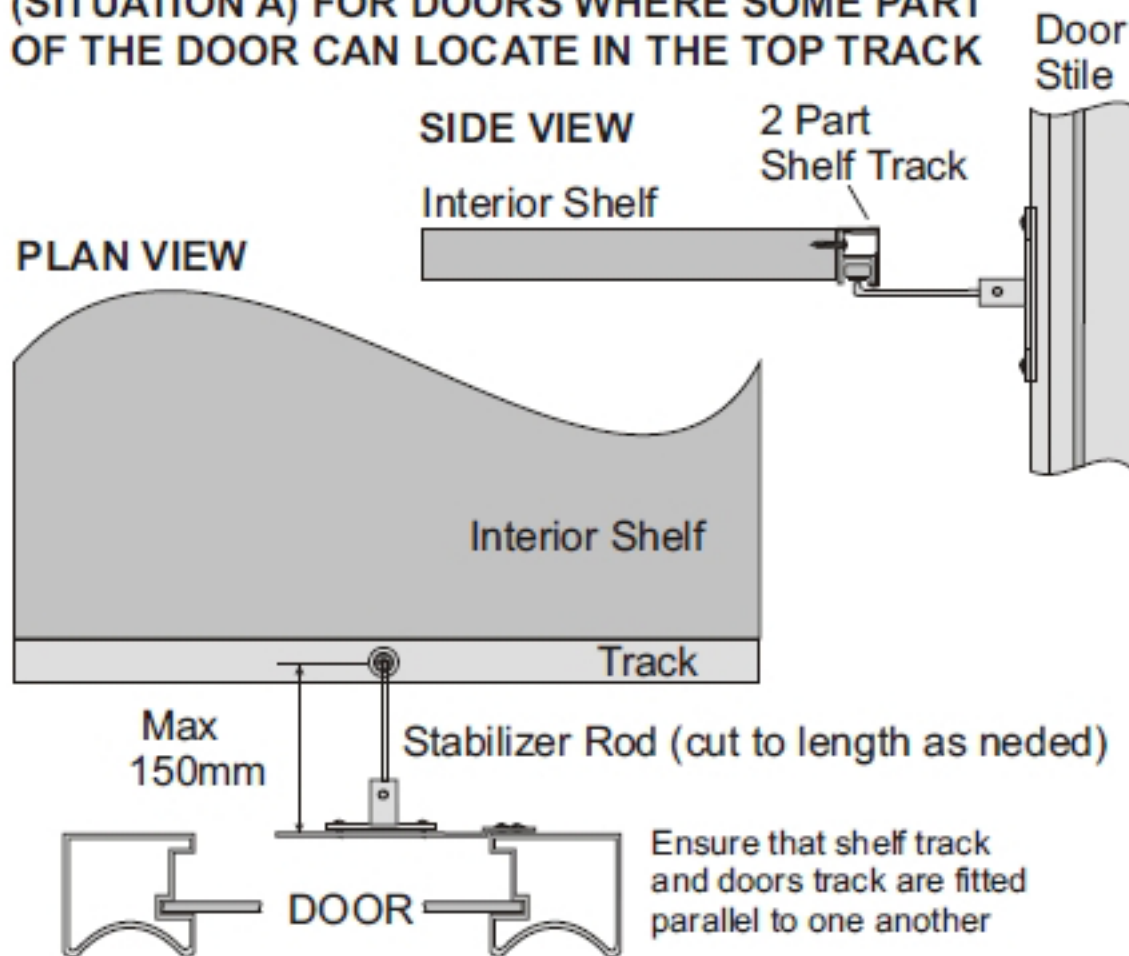
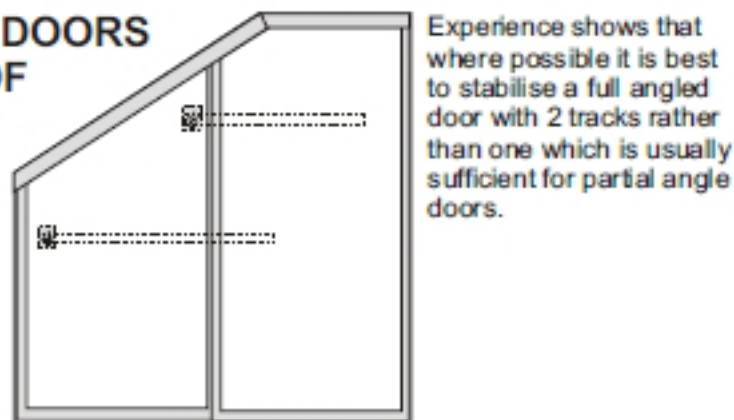


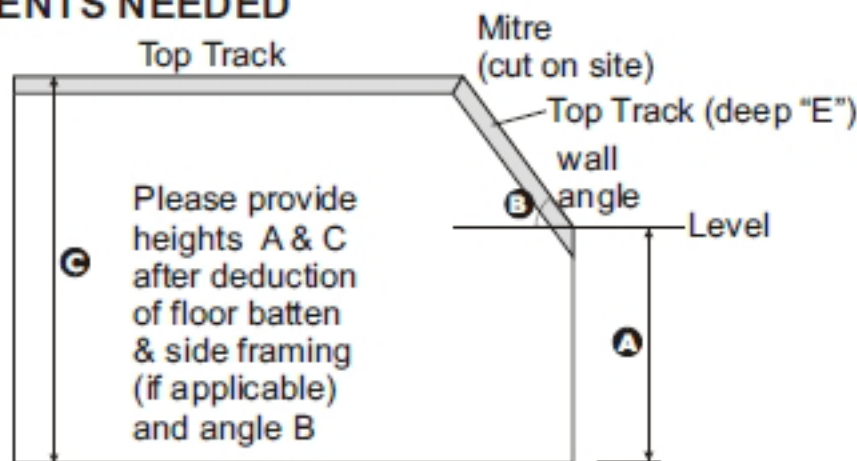
(SITUATION A) FOR DOORS WHERE SOME PART OF THE DOOR CAN LOCATE IN THE TOP TRACK



(SITUATION B) FOR DOORS WHERE NO PART OF THE DOOR CAN LOCATE IN THE TOP TRACK



MEASUREMENTS NEEDED



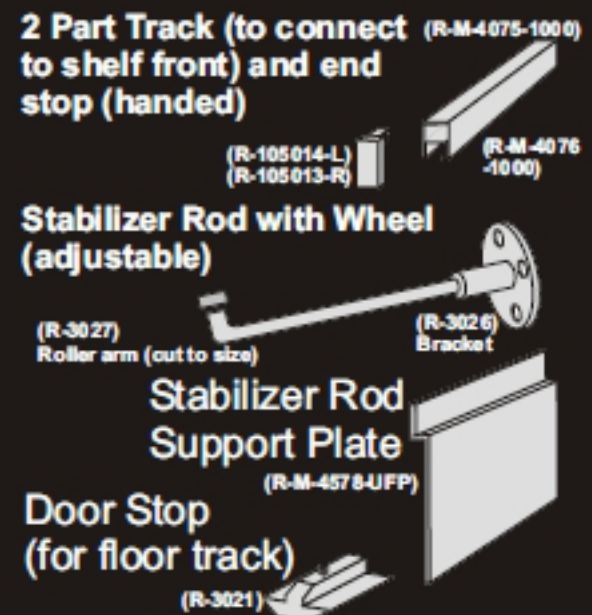
*The top track is usually fitted to mask the top of the door rather than guide it. It isn't essential to fit the track, but door adjustment will be lost without it.

We always require 3 accurate measurements to make the angled door! We suggest, where possible that angled door(s) be measured and ordered after framing is installed.

Angled doors will normally work on 2, 3, or 4 door combinations, but thought needs to be given to how such door arrangements can restrict interior access...see FIG 1 for example.

The track used to guide angled doors can be positioned on the front of a convenient shelf almost anywhere behind the top 60% of the door.

A door stop will be supplied and should be fitted into the floor track to stop an angled door leaving its shelf front track. Similarly, an end (handed) is supplied to finish off shelf track end and also help retain the door.

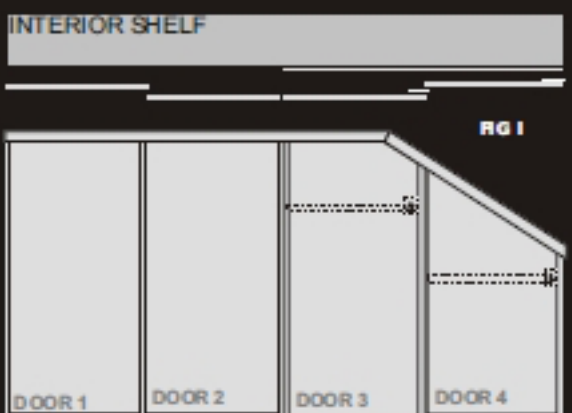


STABILIZER KIT INCLUDES:

	KIT A	B
Shelf Track (2 part)mm	2000	2500
End stop right	1	2
End stop left	1	2
Self drilling screws	5	20
Stabilizer rod with wheel	1	2
1 x Support Plate	1	2
Door stop (for floor track)	1	1
Dust excluder strips	2	2

Doors can be made to fit any angle, as the steering of the door is transferred from the usual top track to a track mounted on an interior shelf front.

Doors are cut and assembled as per measurements provided by the Customer, and supplied ready to hang.



In the above 4 door run, DOOR1 will only move around 65% of its width (up to the angle). DOORS 2 & 3 will move to the left and expose all the space behind. When DOOR 4 is moved to the left, door 3 will be pushed along with it to expose the last quarter.

Door 3 will require stabilizer kit "A" (standard)
Door 4 will require stabilizer kit "B" (non standard)