

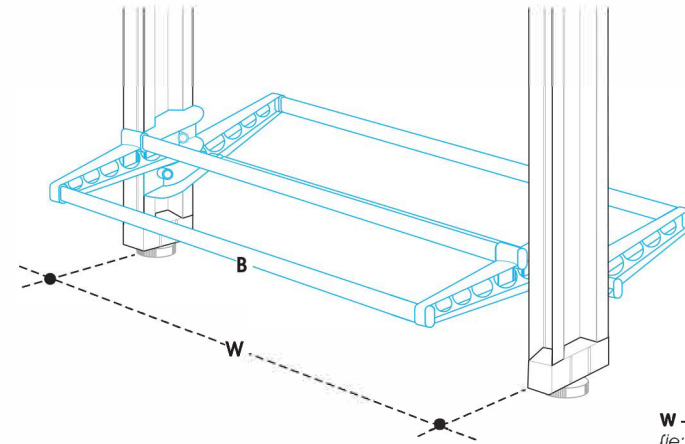
RELAX

SHOE RACK W1220mm

SSR-2123-048-AN

SHOE RACK
INSTRUCTIONS

W1220mm

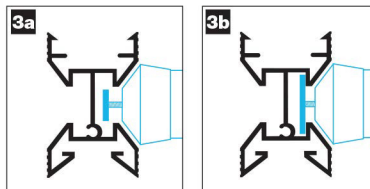


W - 13mm = B
(ie: W910mm - 13mm = B897mm)

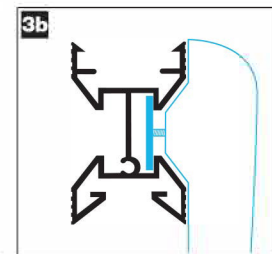
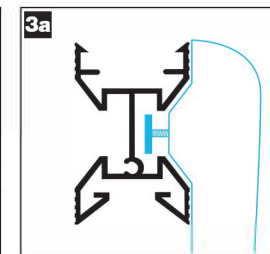
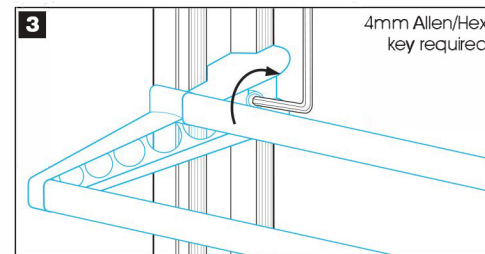
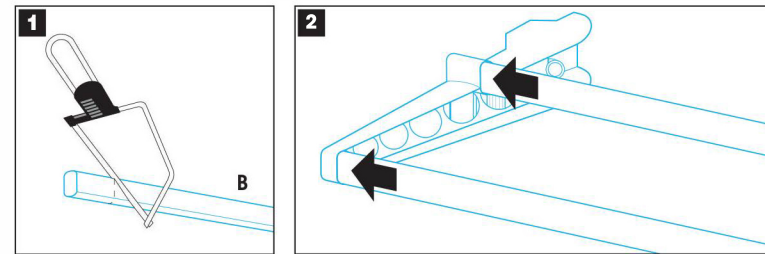
TOOLS REQUIRED:



TOP TIP:



* Fitting to the Stanchions. When attaching the brackets to the Stanchion ensure the washer, which sits within the Stanchion groove is rotated enough for a secure fitting (3a-3b).



* Main illustration above shows X2 Shoe racks.