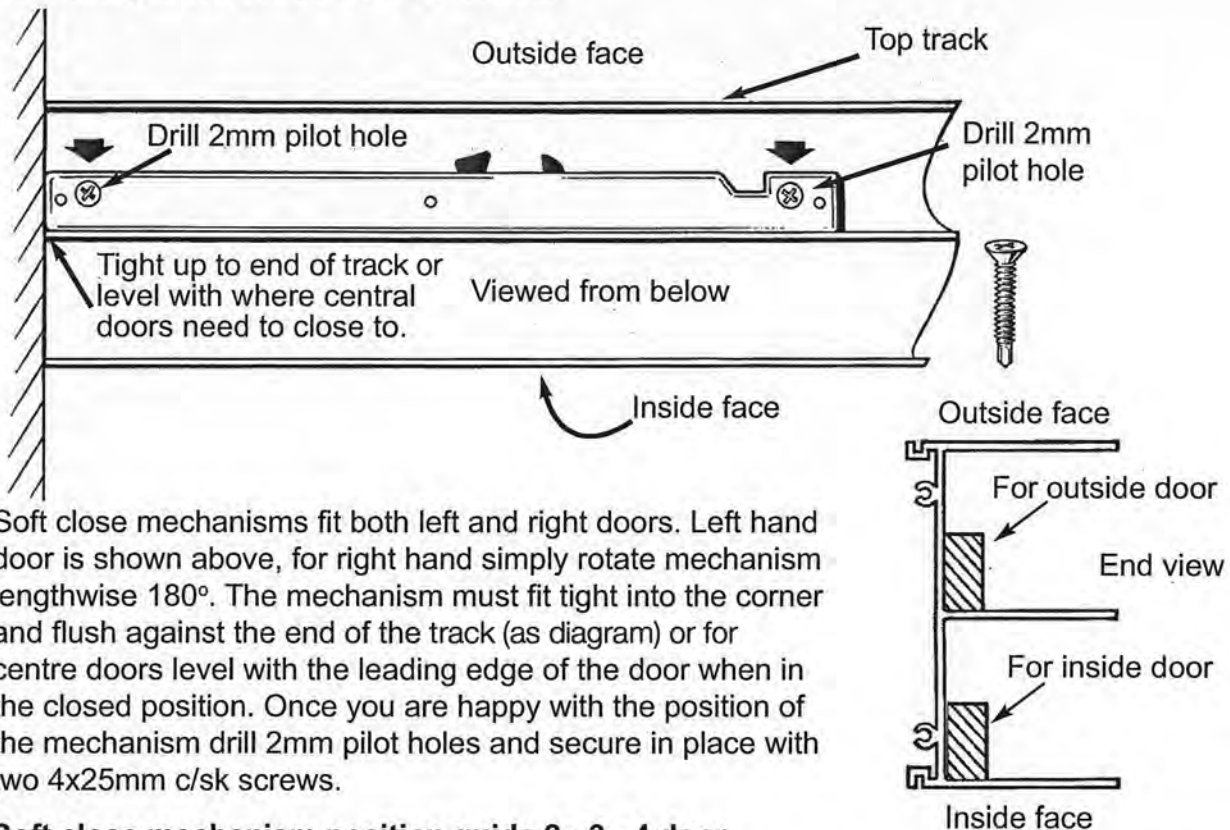


FITTING THE SOFT CLOSE MECHANISM

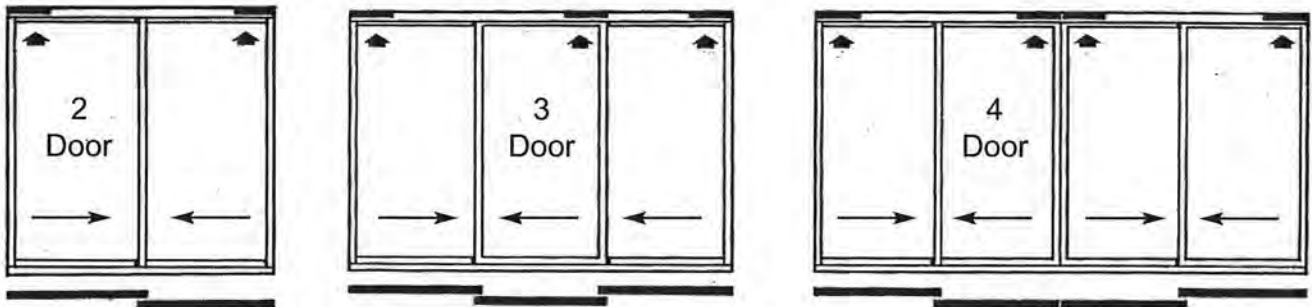
For Aluminium Frame Sliding Wardrobes

1. Fitting Soft Close to Top Track



Soft close mechanisms fit both left and right doors. Left hand door is shown above, for right hand simply rotate mechanism lengthwise 180°. The mechanism must fit tight into the corner and flush against the end of the track (as diagram) or for centre doors level with the leading edge of the door when in the closed position. Once you are happy with the position of the mechanism drill 2mm pilot holes and secure in place with two 4x25mm c/sk screws.

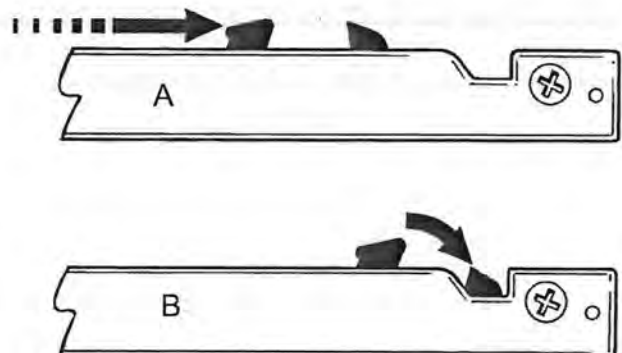
Soft close mechanism position guide 2 - 3 - 4 door



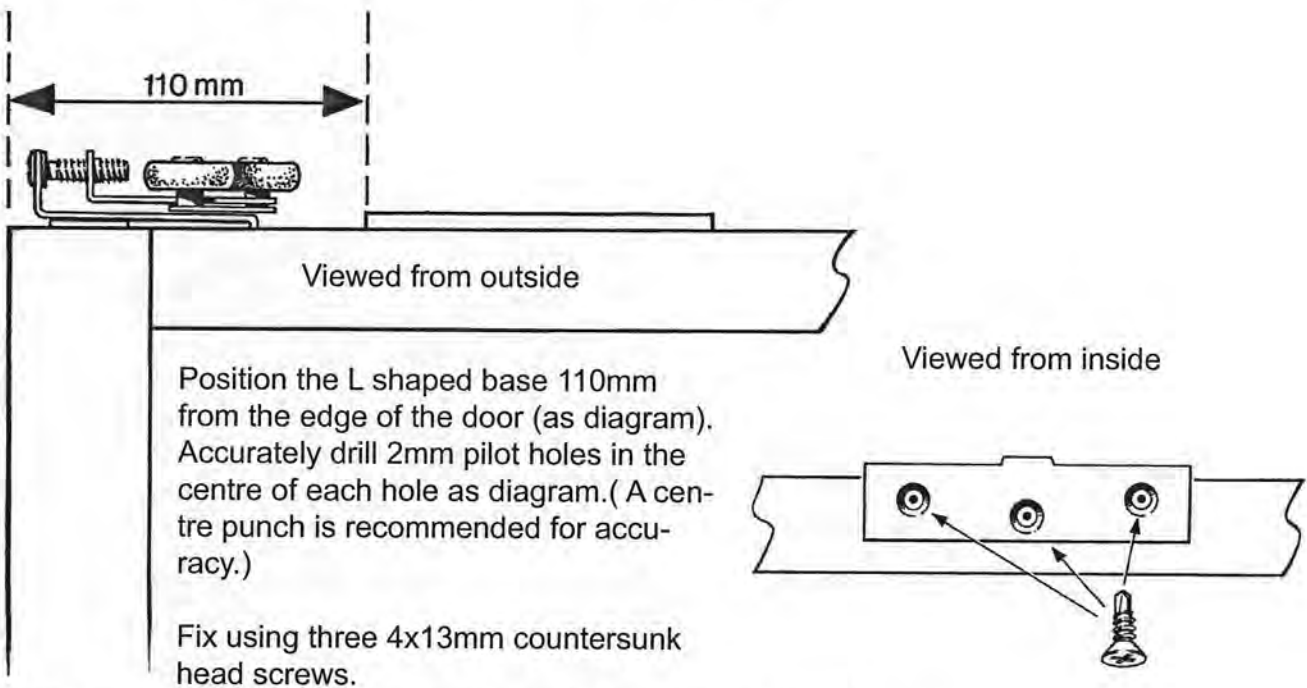
2. Loading the Soft Close Mechanism

Before positioning the door into the top track you must load the mechanism as diagrams A and B.

Slide the black spring loader in the direction of the arrow [diagram A] until the other loader drops into the recess [diagram B].



3. Fitting the Operating Pin to the Top of the Door

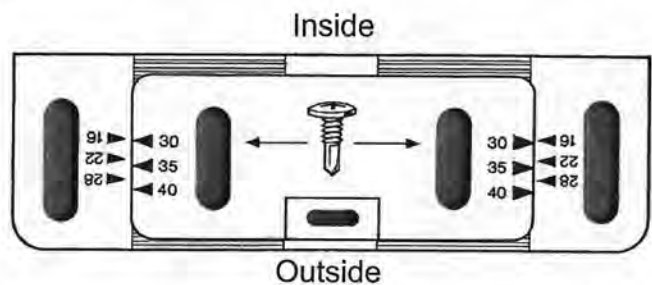
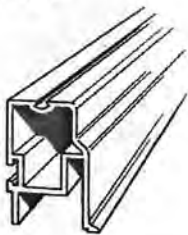


For right door the same measures apply diagram is flipped.

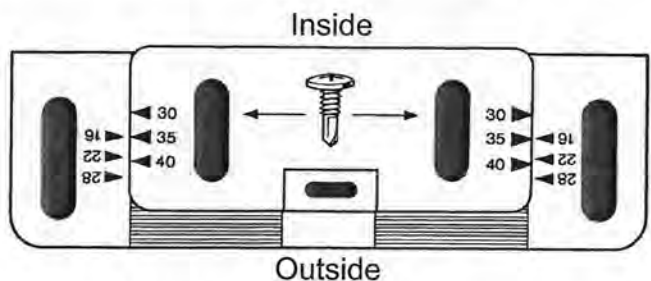
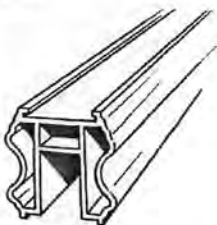
4. Securing the Operating Pin

Depending on your door style ACCURATELY follow the diagrams below for the initial positioning of the operation pin. A final adjustment may be required when fitting door. Secure operating pin to L shaped base using 4x13mm flat head screw.

Contour



Titan



Initial settings, final adjustments might be required.

5. Fitting and Adjusting the Doors

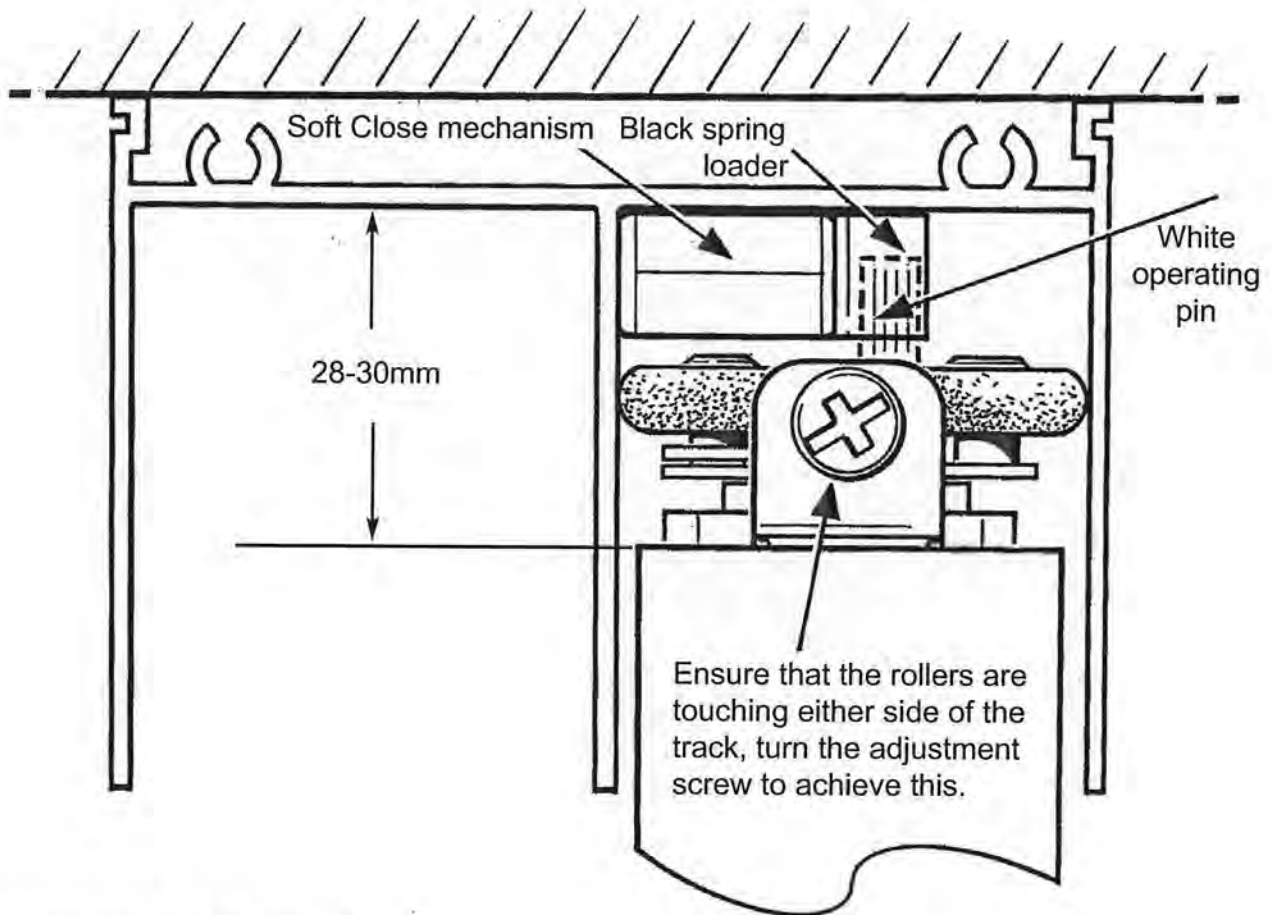
After previously loading the soft close mechanism and setting the operating pin into its correct position insert the door into the centre of the opening away from the soft close mechanism, as main instruction.

The diagram below shows how the door and soft close mechanism are allowed to move over each other freely.

Adjust the height of the door at the bottom rollers to achieve this there should be a 28-30mm gap above the door.

WARNING..... CLOSE THE DOOR VERY GENTLY FOR THE FIRST TIME OVER THE MECHANISM TO ENSURE IT RUNS FREELY.

If working correctly when closed the white operating pin should locate into the black spring loader and pull the door shut.



Adjustment if required

Up and down

If the top guide wheels catch on the soft close mechanism or operating pin does not reach the mechanism, adjust the height of the doors by lifting or lowering the bottom rollers as main instruction.

Side ways

If the operating pin fouls on the soft close mechanism or does not engage fully into the black spring loader, remove the panel and adjust the position of the pin onto the L shaped bracket as required.

Ensure that the soft close mechanism is in the loaded position before re-fitting and re-trying the door.