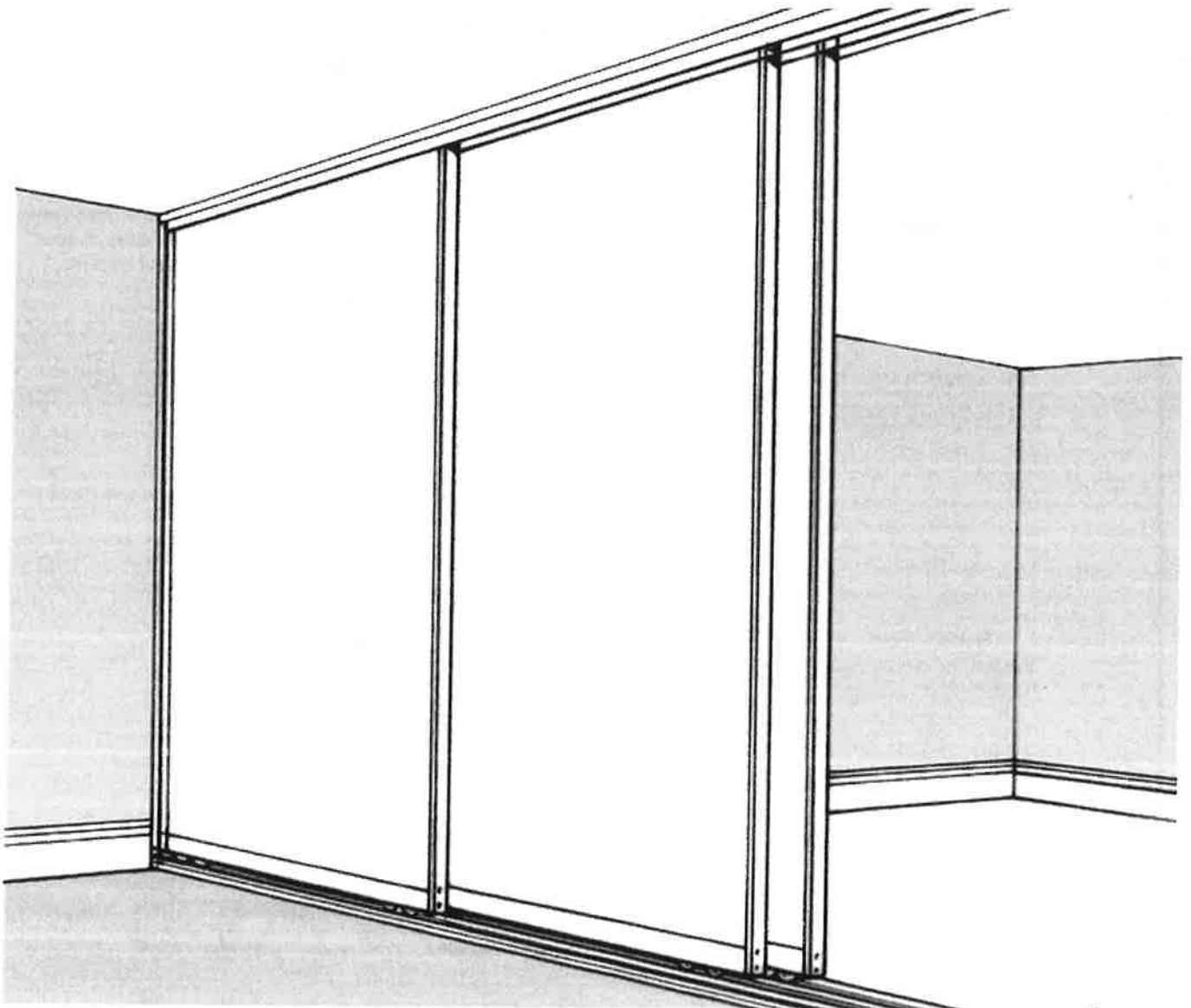
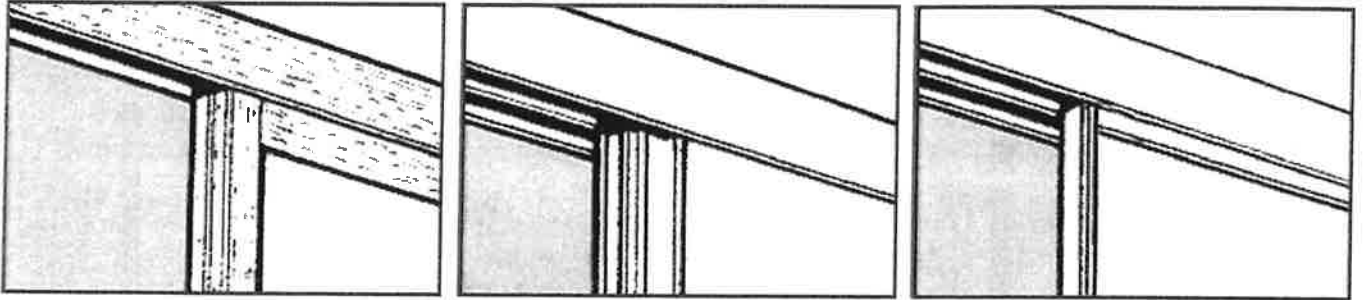


Installation Instructions

ALUMINIUM FRAME

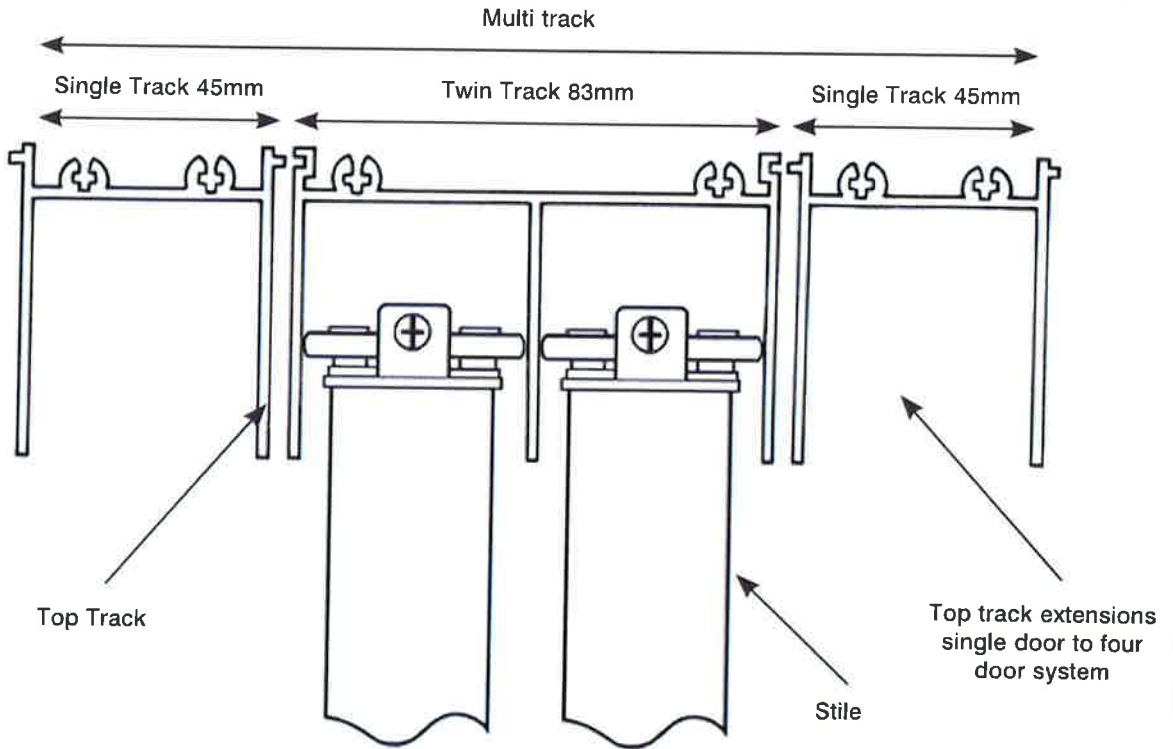


Single track system

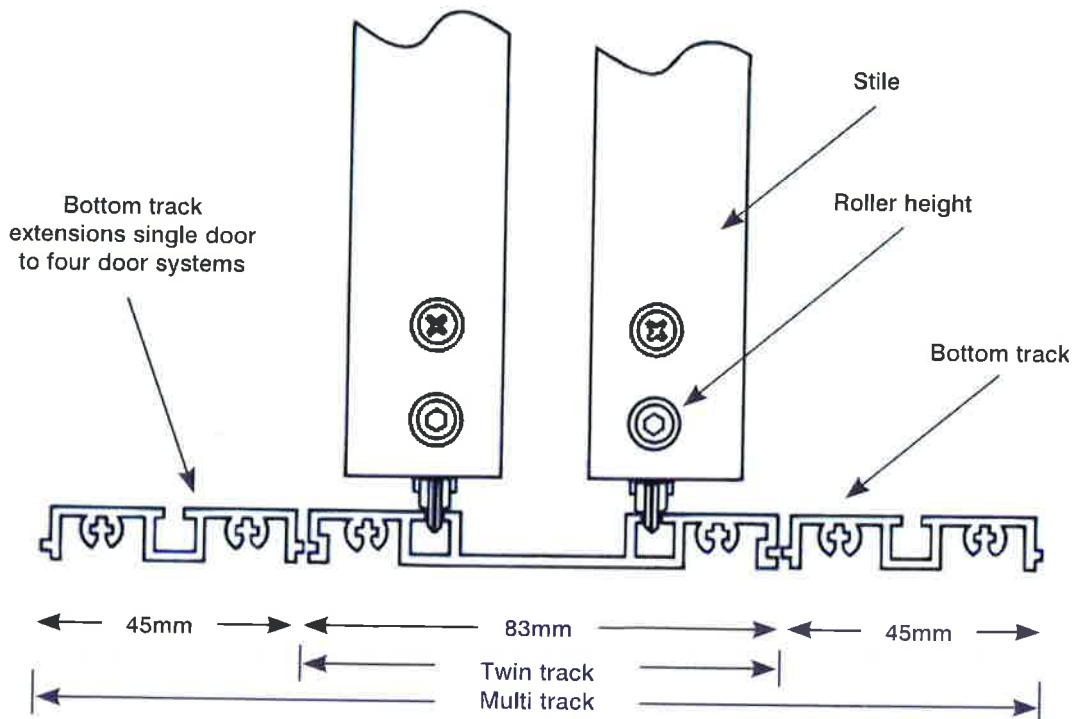
Used when a single door is required to seal on opening or bi-parting doors on the same track.

Multi track system

The single track system can interlocked with twin track to give a three track or four track system to allow stacking doors to the end.



The system can be used as a standard twin track configuration or combined with single track profiles to allow for up to four doors stacking to one end.



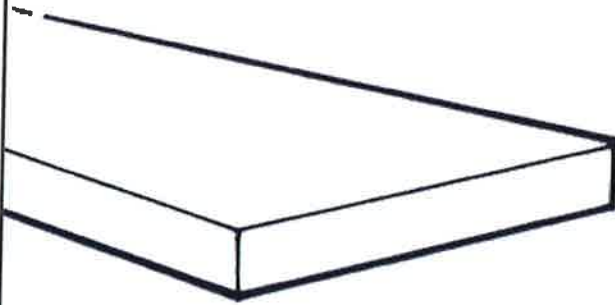
1

IMPORTANT: Ensure there are no pipes or electrical cables in the area of the installation

Tools required

- Power drill/driver
- **If concrete floor:** No. 8 masonry drill bit
- **If timber floor:** 4mm steel drill bit
- Spirit level
- Pencil
- Fixing blocks (if installing end panels)
- Pozi-drive screwdriver
- Hacksaw, recommend 42 tpi blade (to trim tracksets)
- Woodsaw (to trim liners)
- Screws & fixings to attach tracks and liners to ceiling and floor
- Packing if walls/ceiling are uneven

Liners and end panels (if supplied)



Liners are 90mm wide x 18mm thick - minimum 2.5m lengths of MFC board edged on the longer sides supplied in kits of 2, 3 or 4 pieces dependant upon size of wardrobe and your order.

End Panels are 600mm wide x 18mm thick x minimum 2.6m lengths of MFC board edged on longest sides.

Note: For installations over carpet we recommend you use the liner system.

Liners (if supplied): Preparation

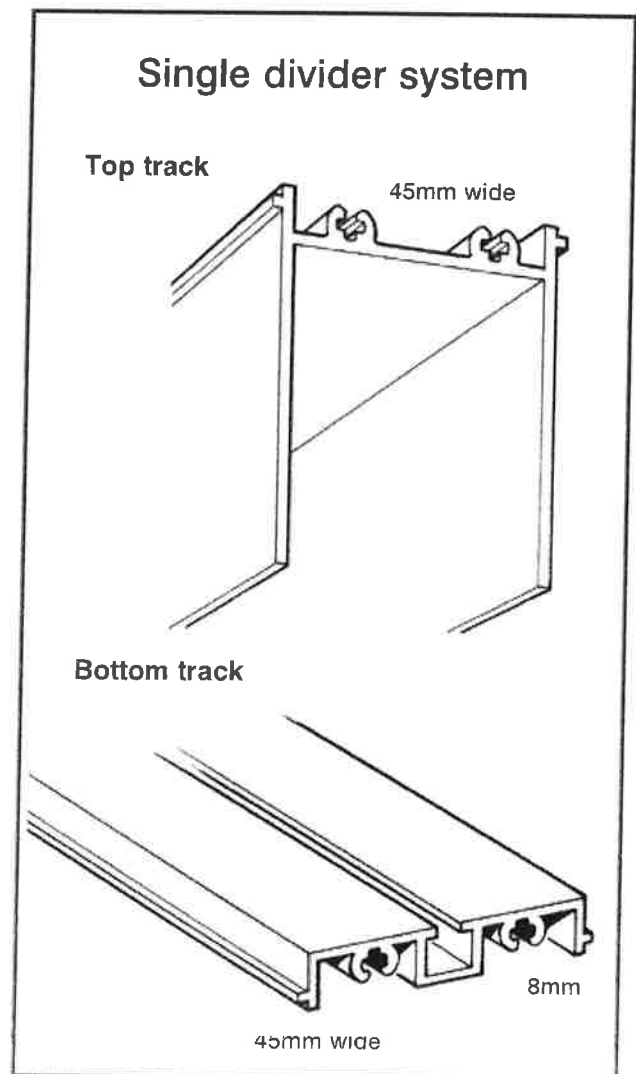
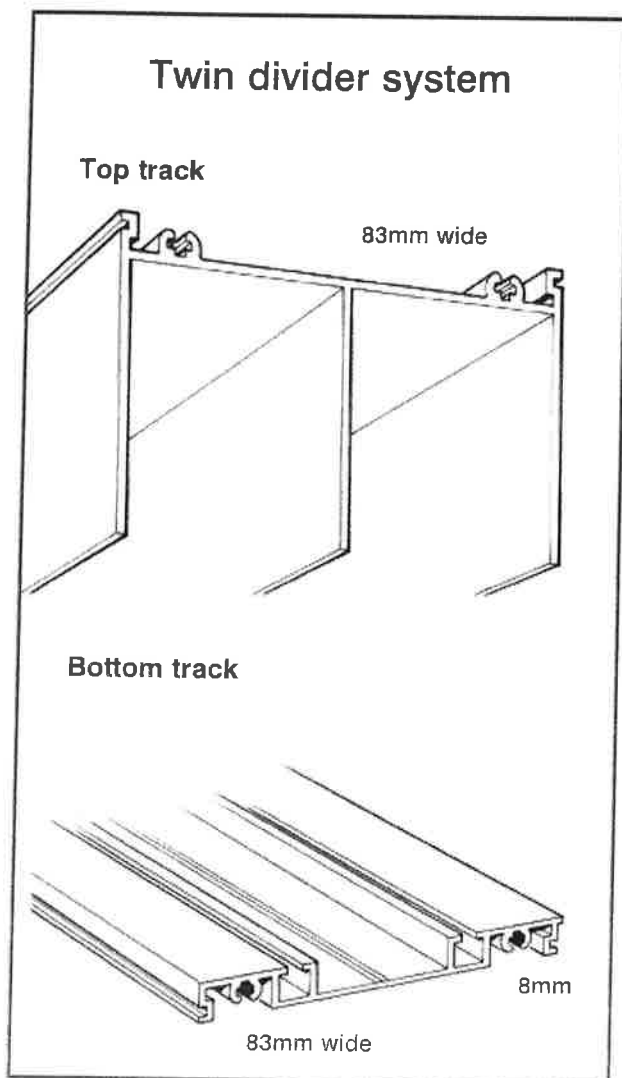
- With a wall to wall situation, the liners should be installed to each wall and underneath the bottom track.
- Where an end panel is specified the liner should be fitted inside the opposite wall and underneath the bottom track.
- Any system over 2.5m wide will need two liners fitted underneath the bottom track butted together.
- Before commencing installation decide which option you prefer with regard to existing skirting boards. The liner thickness is generally the same as the projection of the skirting board therefore if you wish to avoid cutting the skirting board the liner can be positioned above the skirting to the ceiling (see illustration section 3).
- If you wish to run the liner from floor to ceiling then you must remove the skirting board at the correct position allowing a tolerance for the liner supplied.
- If you also have a coving at ceiling level and you have ordered your system to fit to the ceiling height you must also remove the corresponding portion of the coving with clearance to allow for the liner to finish at ceiling level.

IMPORTANT: Ensure there are no pipes or electrical cables in the area of the installation.

The system is supplied complete with outer frame consisting of twin or single top track, twin or single bottom track and wall jamb (for Orion room dividers only).

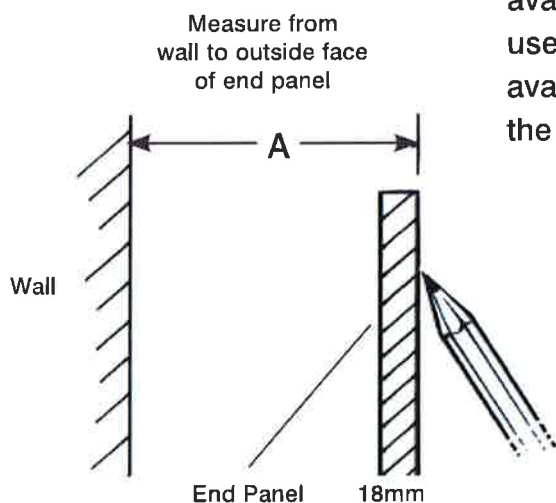
The outer frame profiles are supplied approximately 20mm oversize for cutting down on site to allow accurate installation to aperture on sites. Adjustment of +/- 5mm on designed size can be made to the outer frame.

The installation sequence for the outer frame is top and bottom track to order size. However if vertical outer frame jambs are to be used top track is fitted between the outer jambs therefore the cutting size is bottom track/order size minus 38mm. The outer jambs are installed on top of the bottom track and run full height - cutting size is order size minus 8mm to allow for bottom track height.



Fitting of end panels

Used when a wall to wall installation is not available. One or two end panels can be used - use one end panel when a single end/side wall is available and two in a flat wall situation (centre of the wall).



Step 1

Measure from the wall your ordered width dimension and mark position on the back wall with a pencil - this will be the outside face of the end panel (A).

At this position measure the back wall dimension from floor to ceiling (B) and also at position 600mm from the wall (front edge of the end panel) (C).

If both dimensions are the same cut down the end panel to this size minus 2mm.

If there is a significant difference between the sizes cut the end panel to match the shape of the ceiling.

Step 2

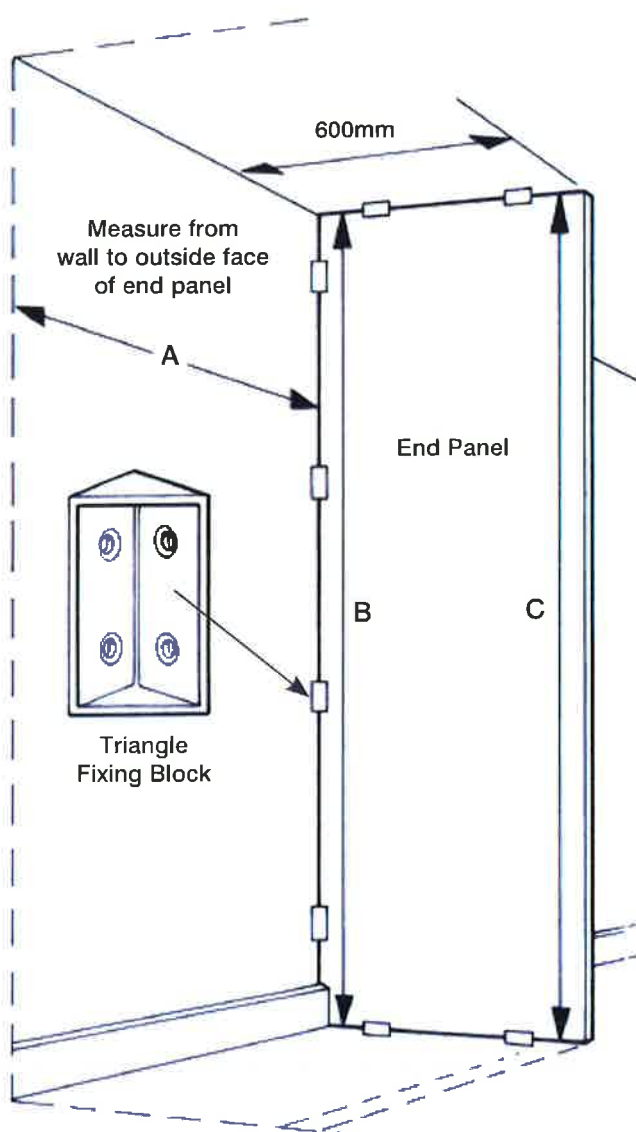
Either cut to shape the end panel over the skirting board or remove the skirting board for the thickness of the end panel.

Step 3

Using fixing blocks, secure them flush with the edge of the end panel. Two at the top and bottom and four to the long wall edge. Place the panel against the back wall, check for plumb with a spirit level and secure through blocks with screws and plugs provided. Use No 8 x 13mm screws into the panel (so that they do not come through). Use No 10 x 32mm screws (supplied) for fixing to the wall.

Step 4

Continue fitting the bottom track liner & wall liner as previous instructions, (section 2) installing between the end panel and the wall/skirting board.



3

Fitting bottom track liner

Ensure that all fixings are clear of any electrical cables and pipework.

Step 1

Measure between wall to wall or skirting to skirting (if you chose not to remove skirting) or wall/skirting to inside face of the end panel if end panel being used. Cut the liner to size minus 2mm. Drill 5mm holes centrally in width of the liners approx 150mm from each end and space out the remaining screws evenly at a maximum of 500mm centres (see diagram), countersink these holes.

Step 2

Place the liner in position. It is essential for the proper running of the doors that the bottom track is perfectly level, check with a spirit level. When you are satisfied fix the liners to the floor, use packers where necessary with suitable countersunk screws ensuring the head finishes flush with face of liner.

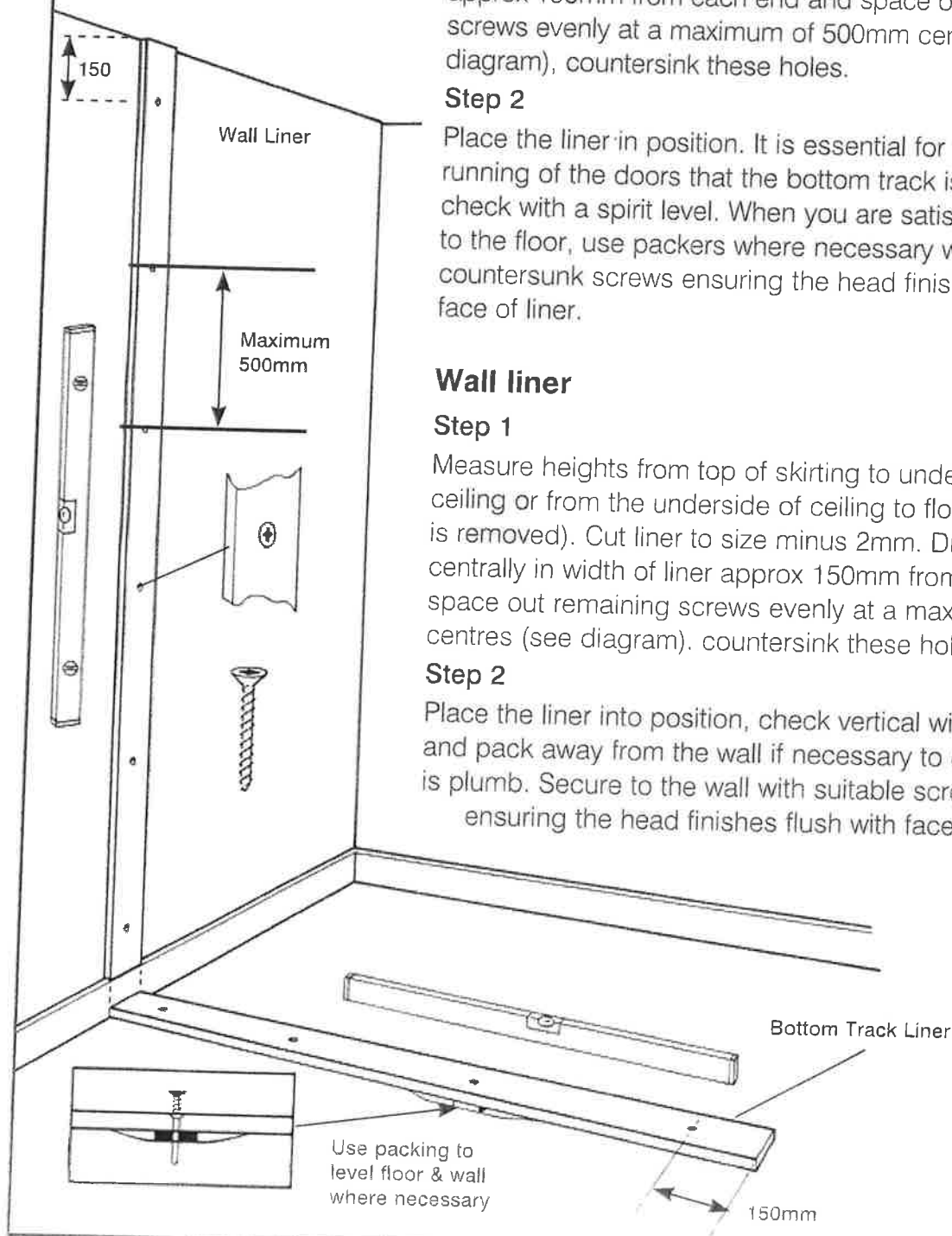
Wall liner

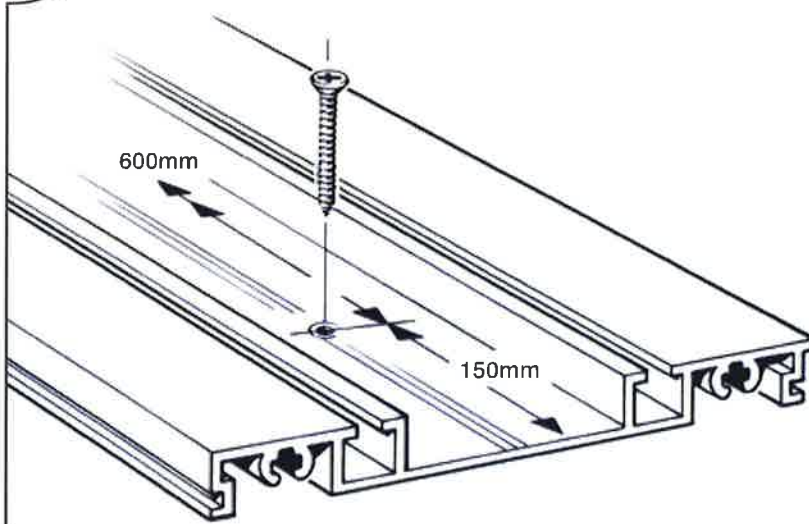
Step 1

Measure heights from top of skirting to underside of the ceiling or from the underside of ceiling to floor liner (if skirting is removed). Cut liner to size minus 2mm. Drill 5mm holes centrally in width of liner approx 150mm from each end and space out remaining screws evenly at a maximum of 500mm centres (see diagram). countersink these holes.

Step 2

Place the liner into position, check vertical with a spirit level and pack away from the wall if necessary to ensure the liner is plumb. Secure to the wall with suitable screws and plugs ensuring the head finishes flush with face of liner.



4**Installing the bottom track**

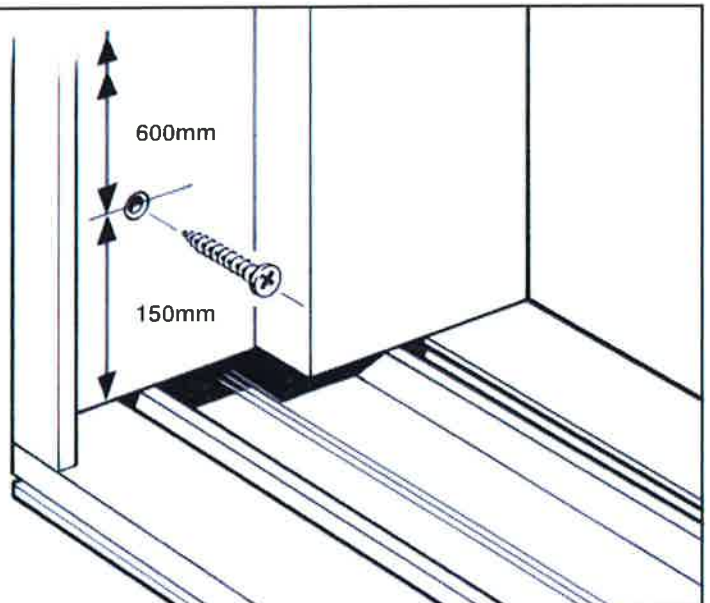
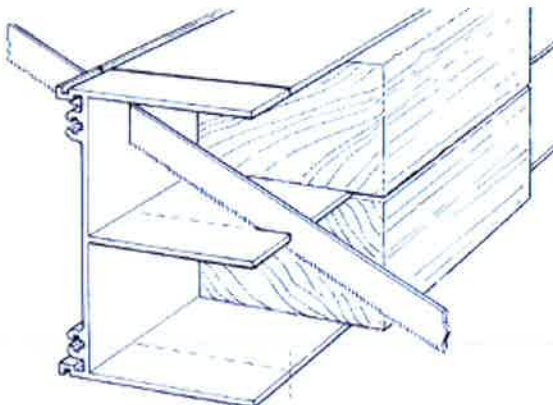
Bottom track will need to be cut to the correct size. Mark the profiles with a set square and cut using a hacksaw as accurately as possible. Drill 5mm clearance holes in the centre of the profile, 150mm from each end and at 600mm centres.

Place track in position, use a spirit level to ensure flat and secure to structure - do not overtighten as this may deform the track.

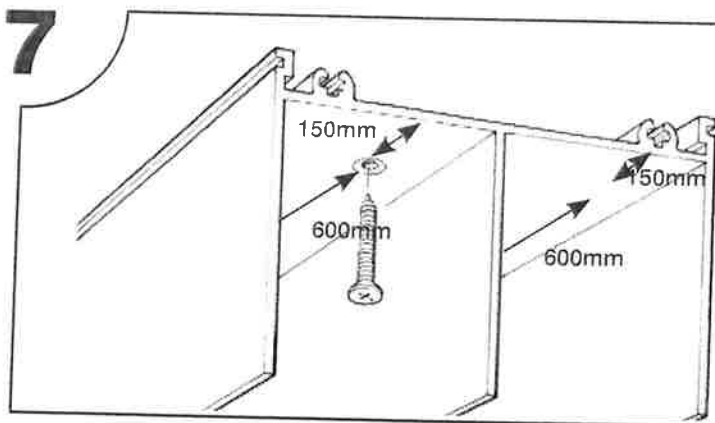
5**Upright Jamb** (Room Dividers only)

Place jamb in position. If fixing to brickwork mark the position of the fixing holes central on the wall and drill 5mm clearance holes in centre of the profile cavity, 150mm from each end and at 600mm centres.

Using a spirit level ensure the profile is plumb in both directions and secure to structure, do not overtighten screws as this may deform jamb.

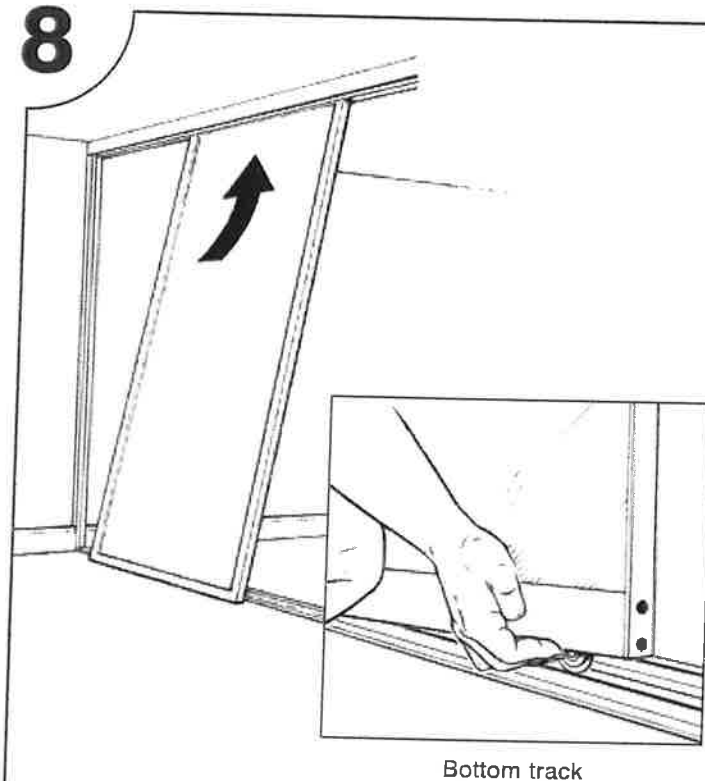
**6****Installing the top track**

Top track will need to be cut to fit between uprights. To assist when cutting insert timber blocks into top track for support, as illustrated.



Installing top track

Drill 5mm clearance holes in both channels. Place in position between outer uprights and secure.



Installing doors

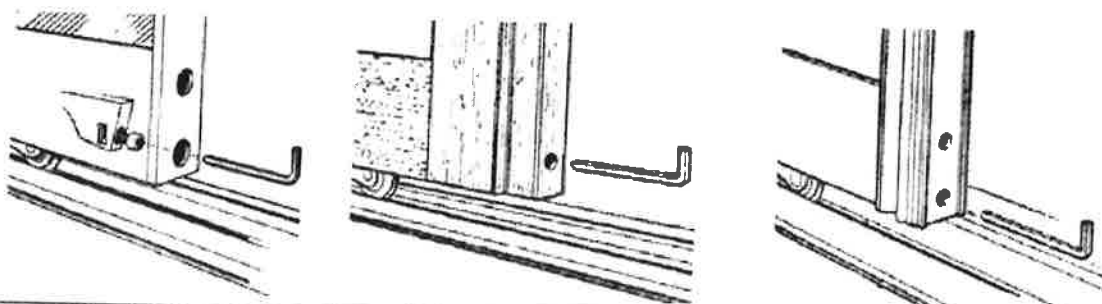
Tilt the door as shown and insert the top rail into the rear channel. The rollers are spring loaded, push them into the bottom rail of the door (see illustration) then lift the door over the bottom track and lower the roller into the rear groove. Take care not to scratch the bottom track. Repeat the process with the second door using the front channel and front bottom track.

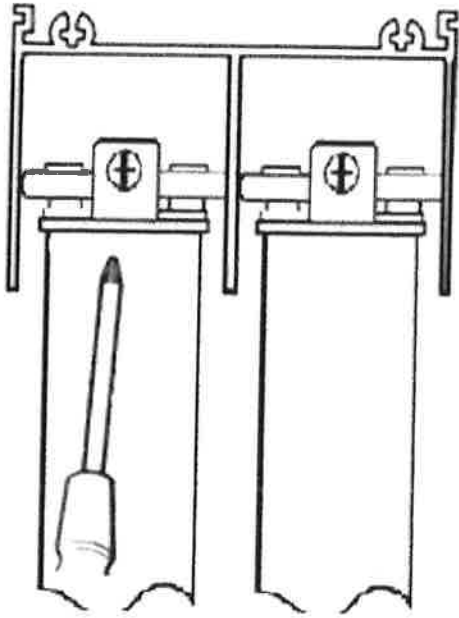
For multidoor systems alternate doors on track.

9 Vertical adjustment of doors

Use a allen key to raise (clockwise) or lower (anti-clockwise) the roller via the access hole in the bottom of the door stile. Take load off wheels whilst adjusting doors so they are level and run clear of bottom track.

Different door options:





Horizontal adjustment of doors

Adjust the rollers using a pozi-drive screwdriver so that the rollers roll against the inner walls of the top track (clockwise to expand width, anti-clockwise to reduce width), they should **NOT** be adjusted so tightly that they distort the top track profile, but just enough to achieve a smooth sliding action and prevent any roll back on the doors when they are in the closed position.

Maintenance: Once installed it is advisable to periodically check the adjustment of the rollers to ensure the doors are operating correctly and prevent any movement when they are in the closed position.