

TOWER UNIT 3 DRAWERS

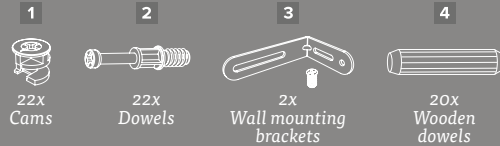
(450 & 600mm wide)

Assembly Instructions

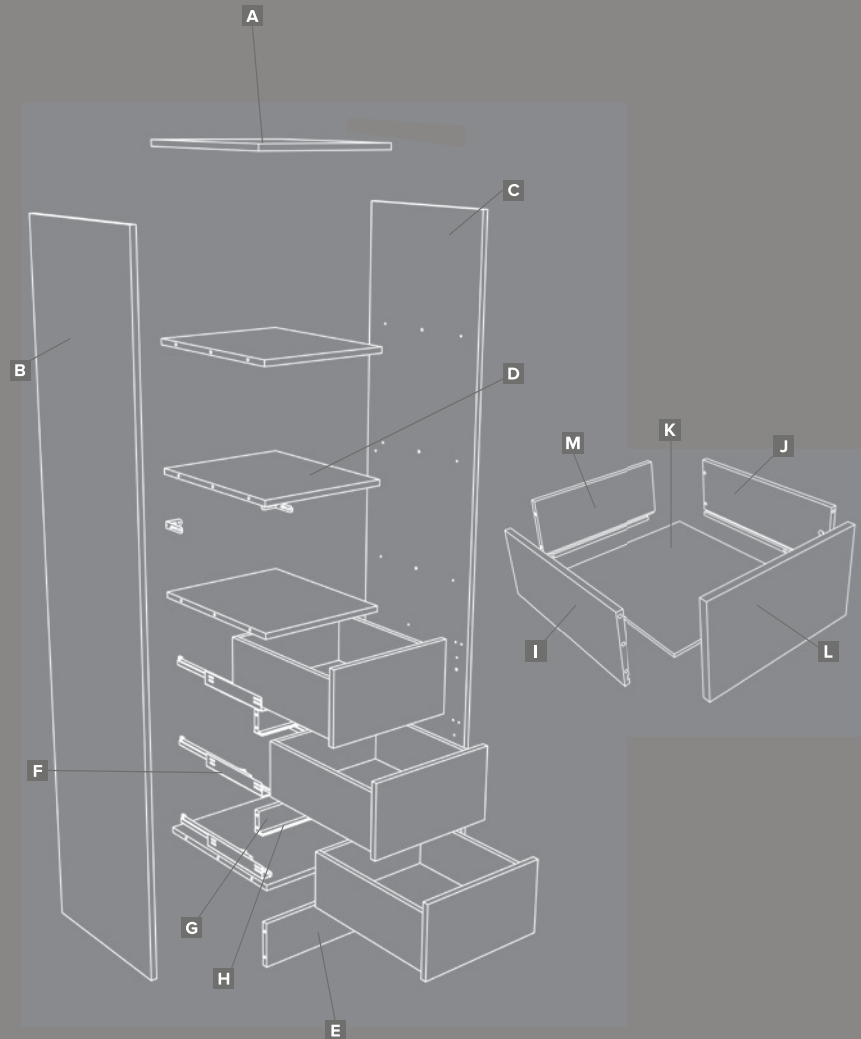
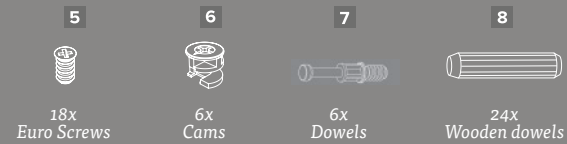
CONTENTS:

- A 1x Top panel
- B 1x Side panel (left)
- C 1x Side panel (right)
- D 4x Shelves
- E 1x Plinth panel
- F 6x Soft close drawer runners (3x left, 3x right)
- G 2x Drawer infill panels
- H 2x Metal infill strips
- I 3x Drawer sides (left)
- J 3x Drawer sides (right)
- K 3x Drawer bases
- L 3x Drawer fronts
- M 3x Drawer backs

TOWER UNIT PACK



DRAWER PACK



RECOMMENDED:

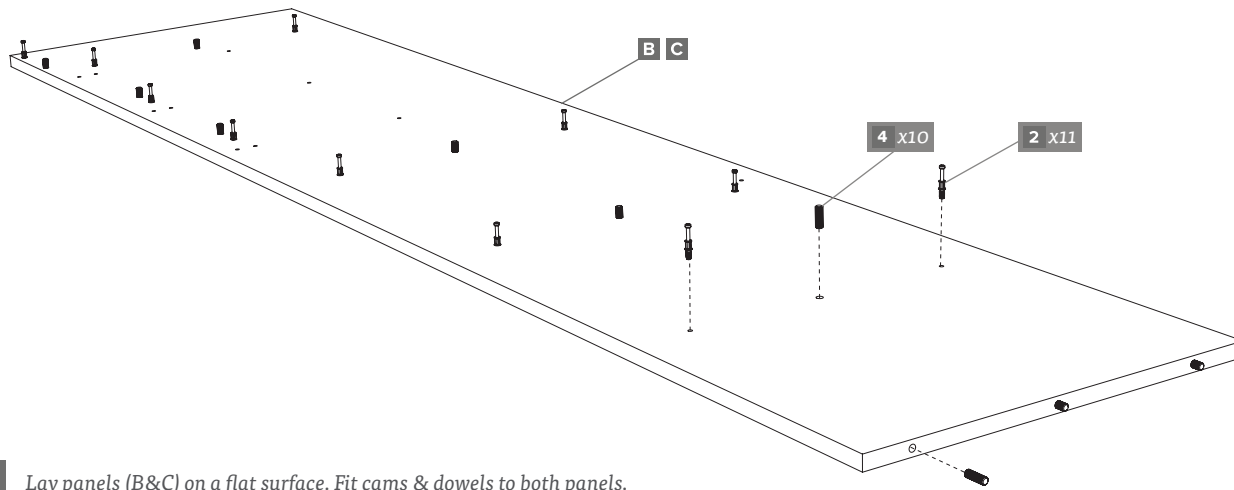
- TOOLS: Screwdriver
- TWO PERSON BUILD



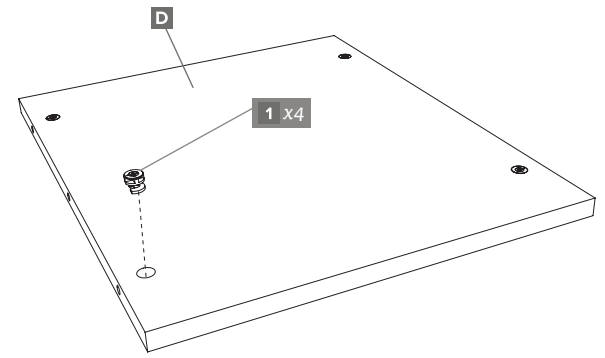
We recommend you use the wall mounting brackets provided to fix the Tower Unit to a wall (where possible). This will prevent the unit being pulled over. Use suitable fixings.

V2.1

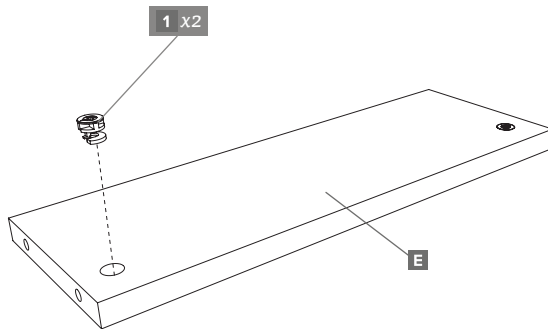
Note: B panel shown



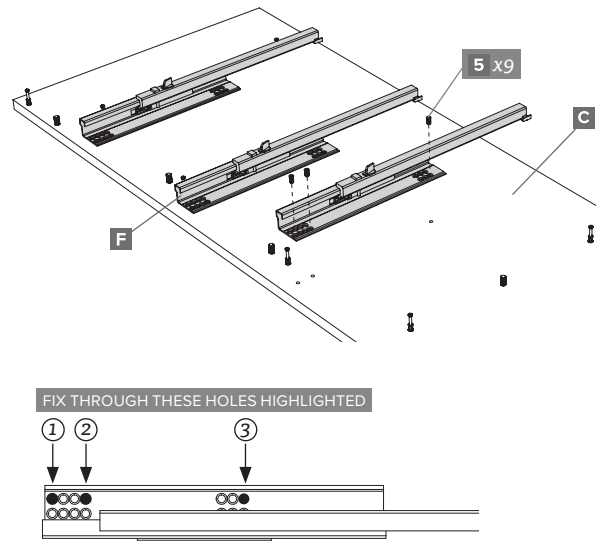
1 Lay panels (B&C) on a flat surface. Fit cams & dowels to both panels.



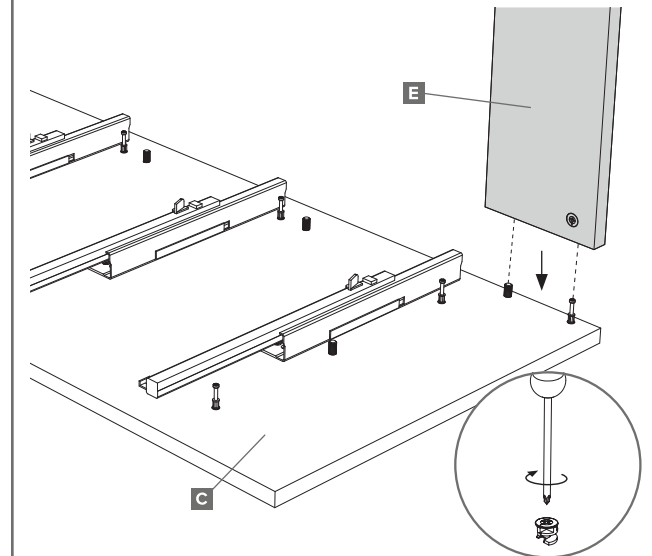
2 Place the cams in the holes. (Apply to all shelves).



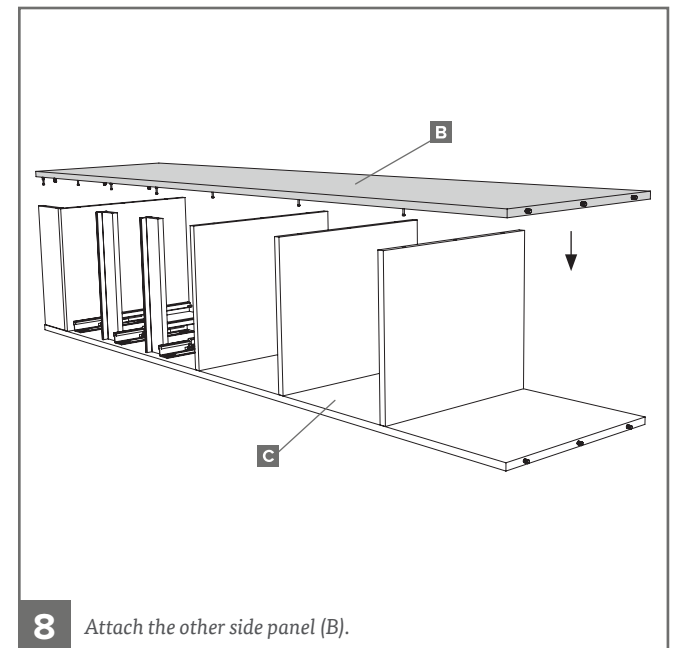
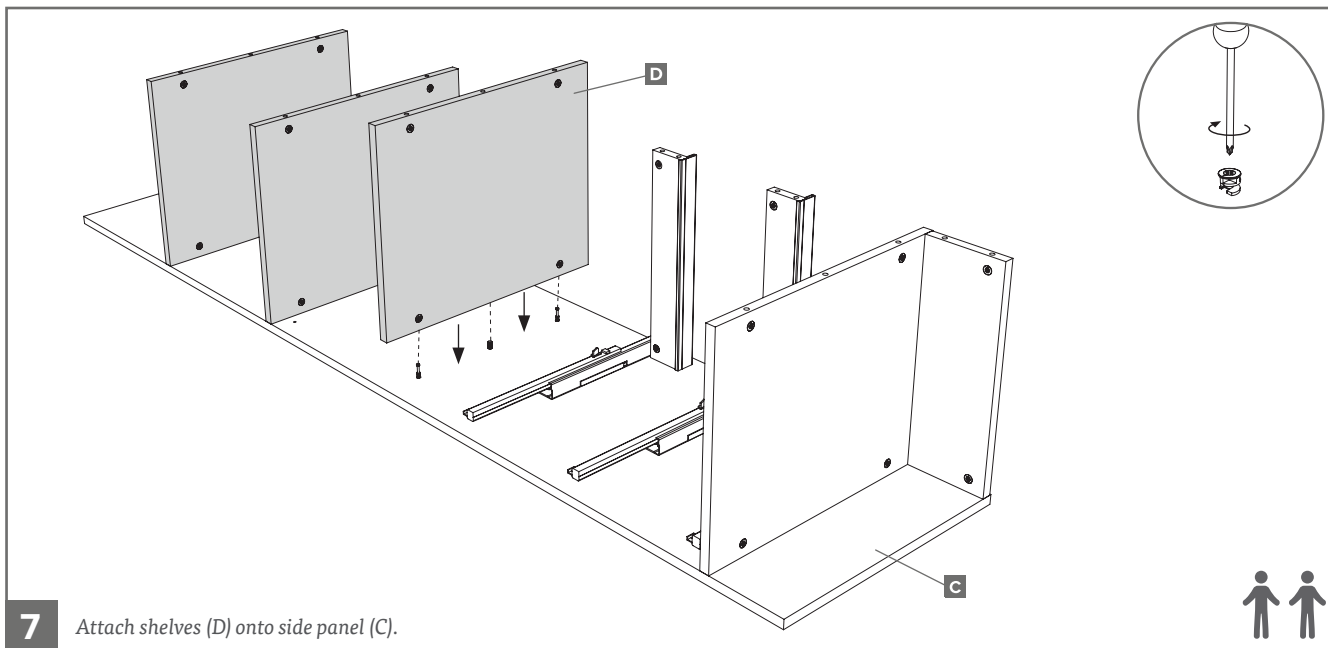
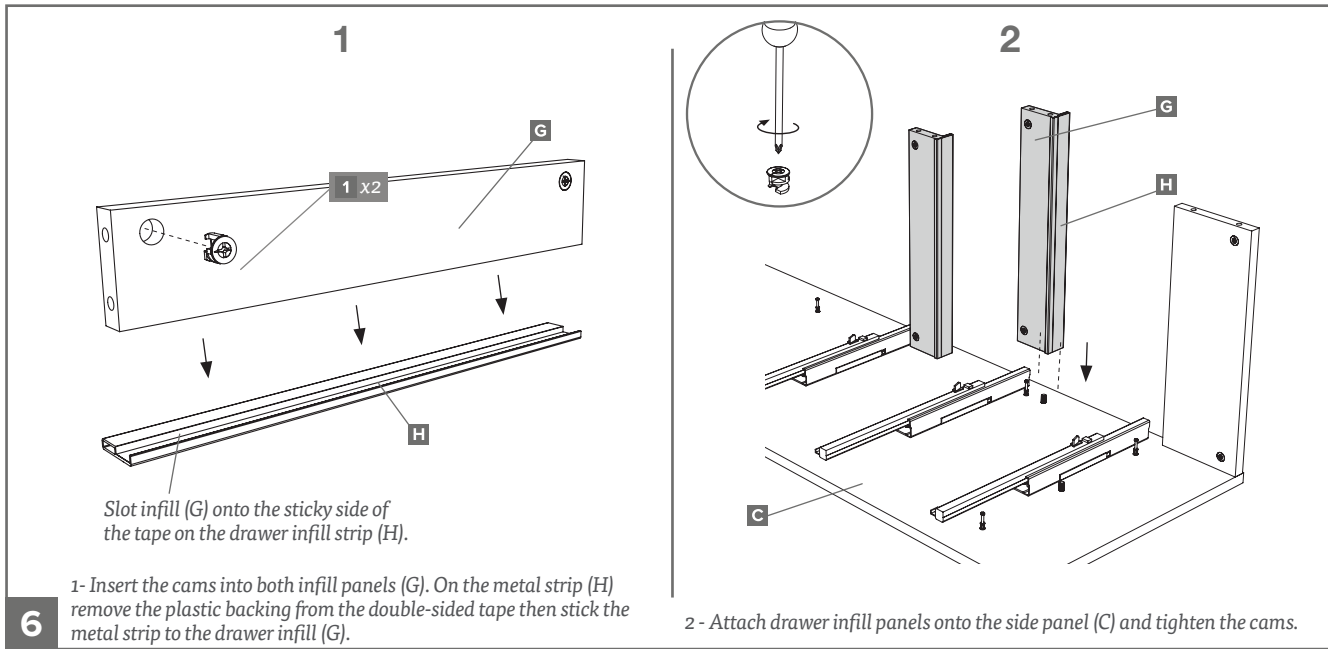
3

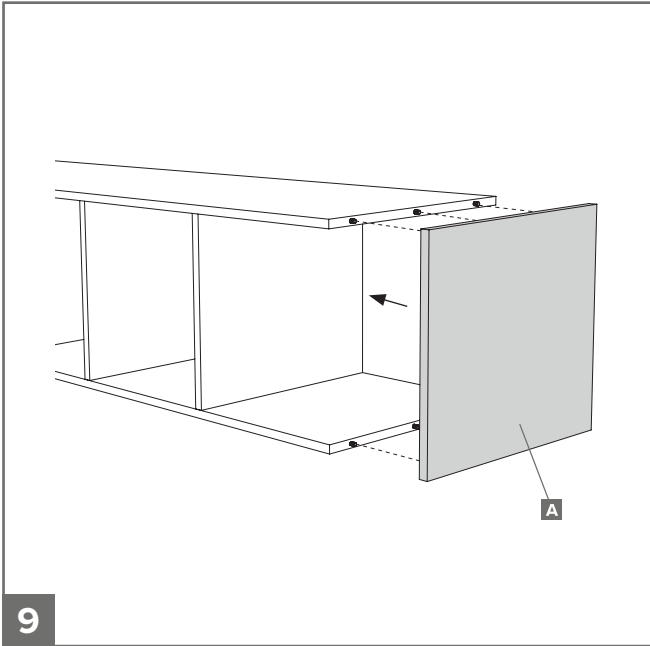


4 Insert the screws into the holes shown on both sides (B & C).

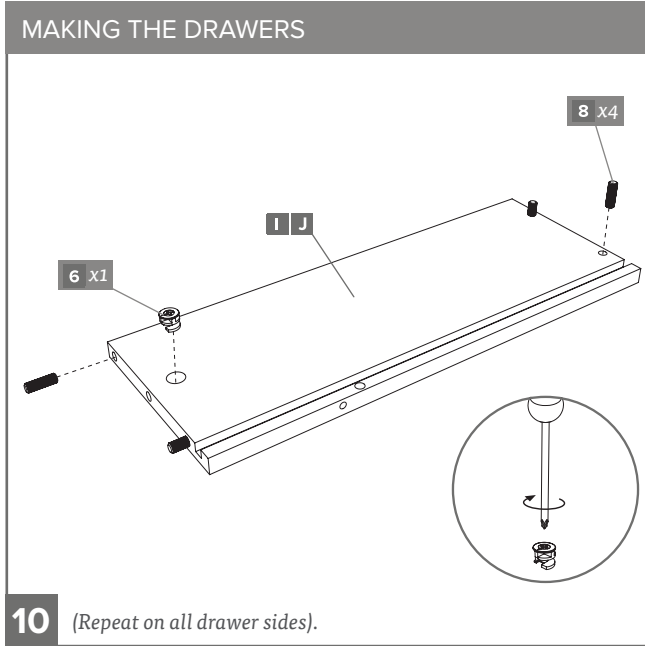


5

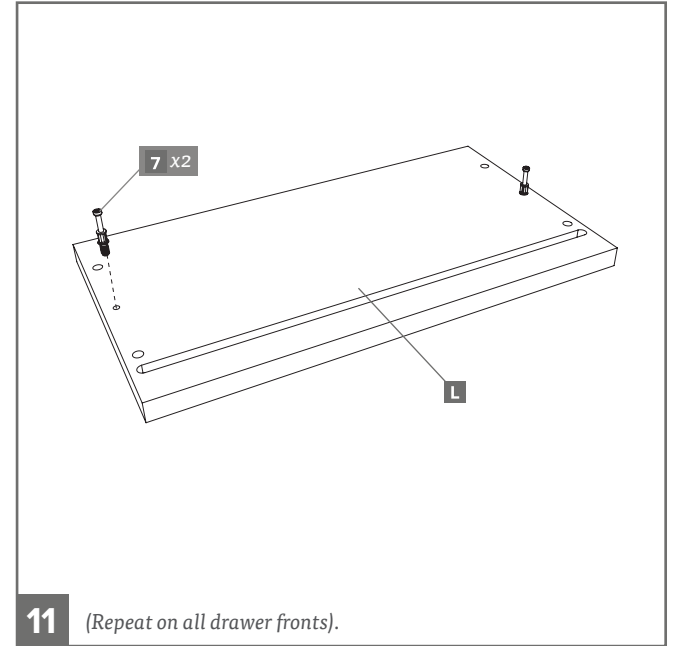




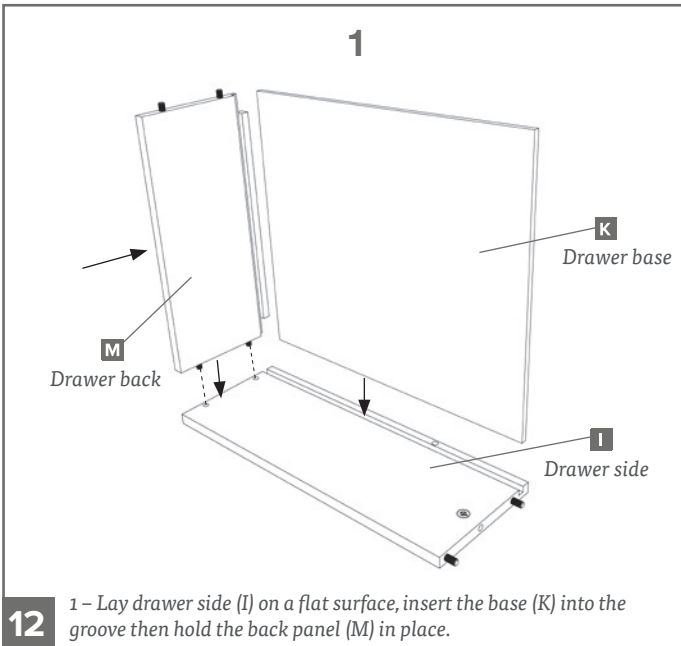
9



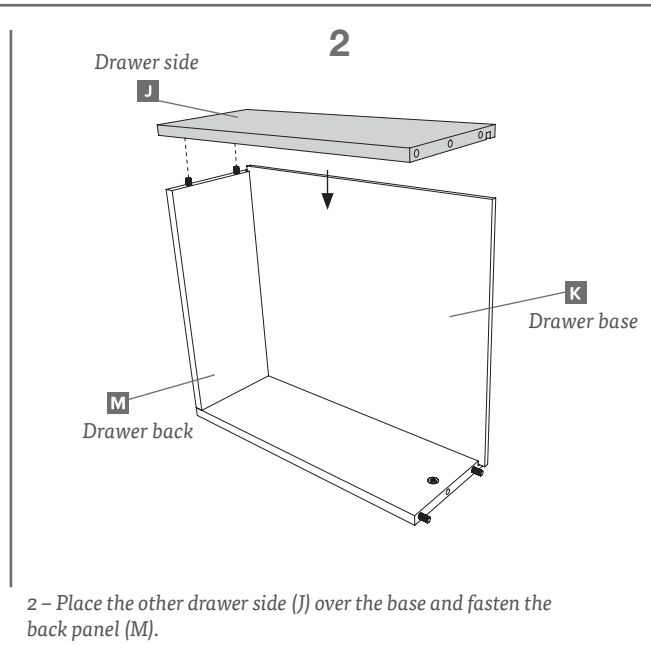
10 (Repeat on all drawer sides).



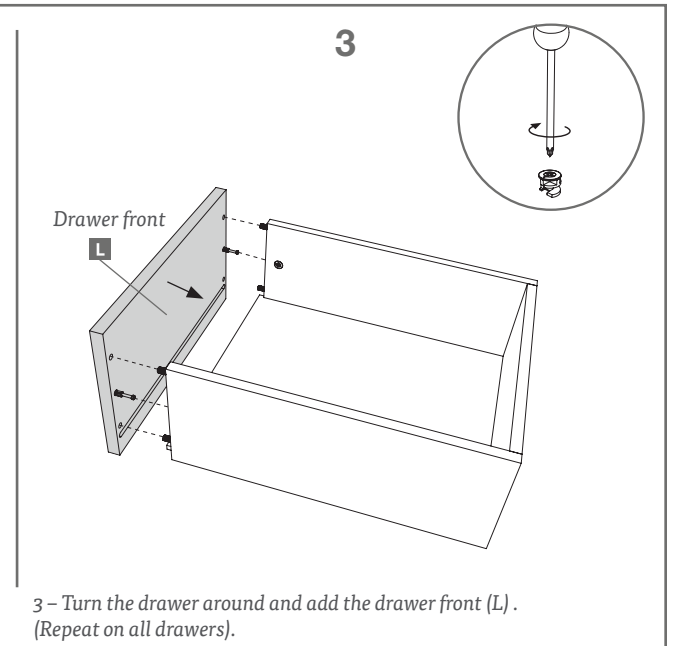
11 (Repeat on all drawer fronts).



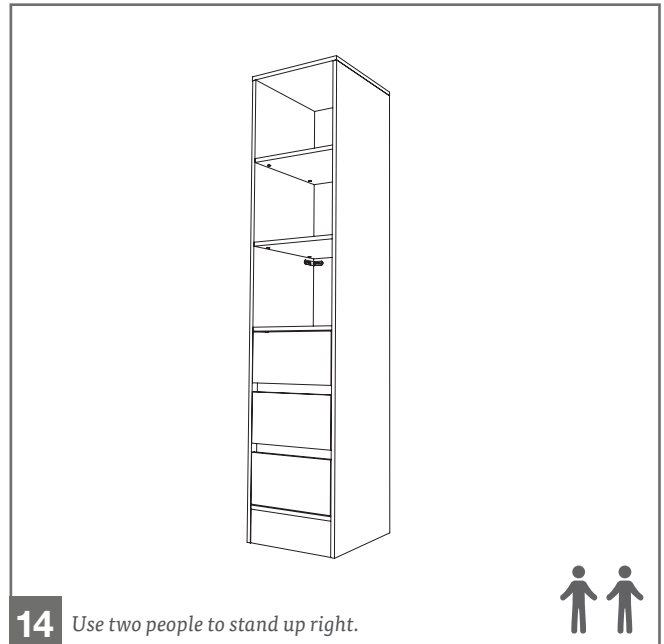
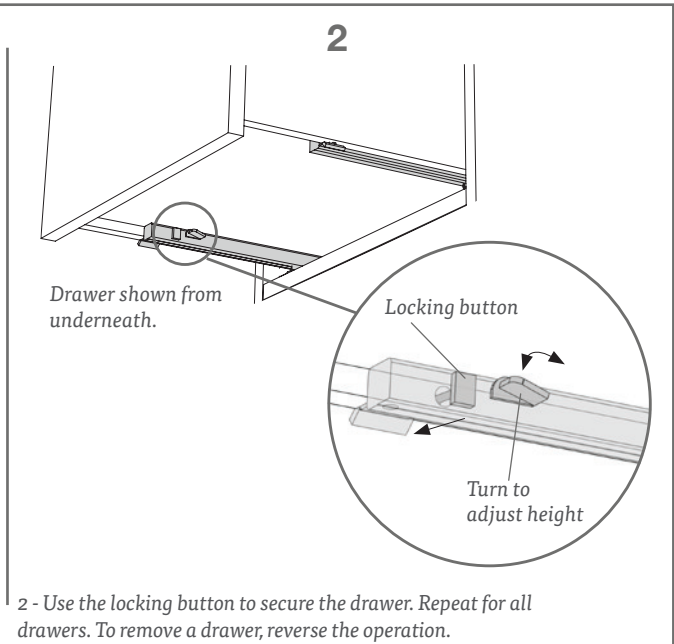
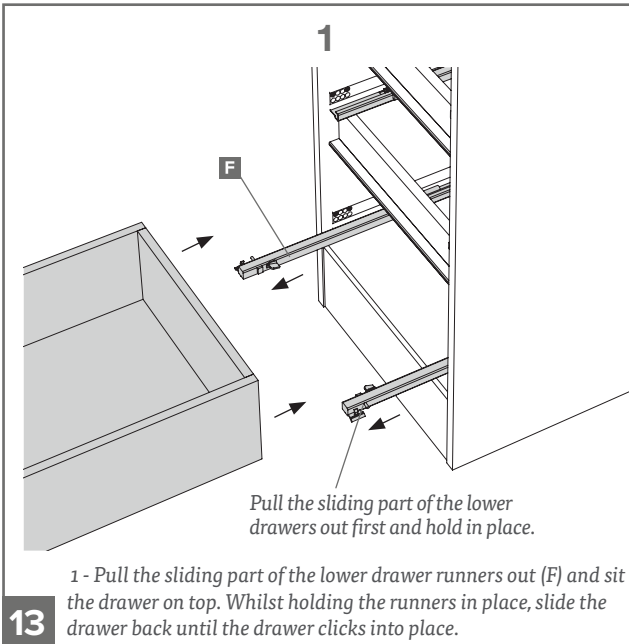
12 1 – Lay drawer side (I) on a flat surface, insert the base (K) into the groove then hold the back panel (M) in place.



2 – Place the other drawer side (J) over the base and fasten the back panel (M).



3 – Turn the drawer around and add the drawer front (L). (Repeat on all drawers).



!
WALL MOUNTING BRACKETS
 We recommend you use the Wall Mounting Brackets provided to fix the Tower Unit to a wall (where possible). This will prevent the unit being pulled over. Use suitable fixings.

