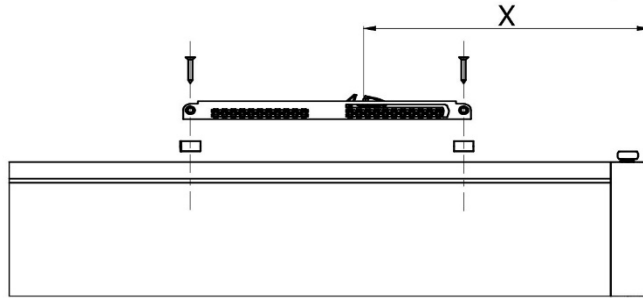


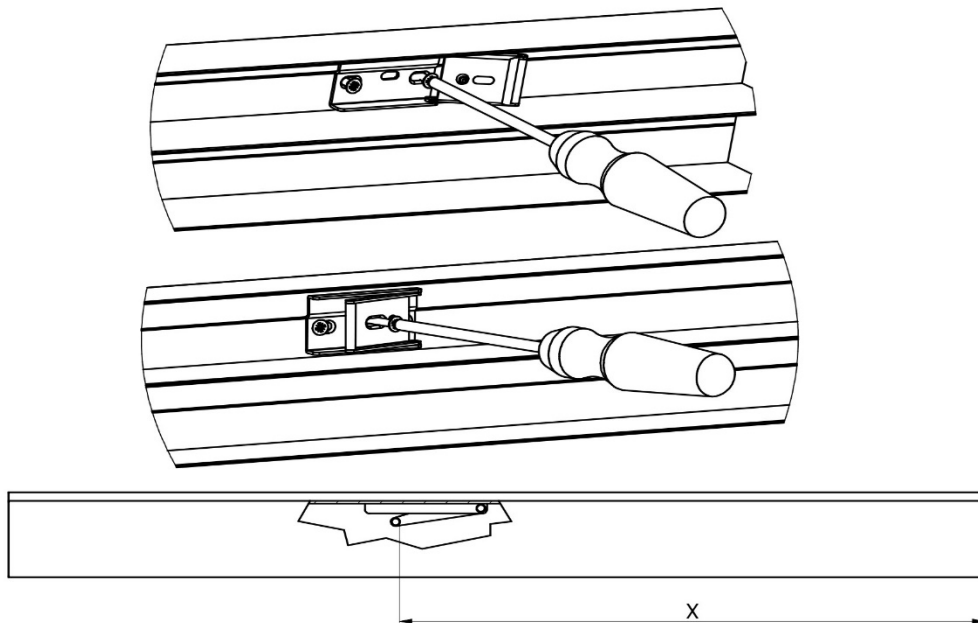
1. Install the Soft Close and Measure distance X

Please note that if you purchased doors from us with soft close, we have already fitted the soft close to the door. Once the closer is fixed to the door, release the activator (the activator is the part that moves, the JAWS), so it sits in the position shown, then measure the distance "X" from the closing edge of the door to the middle of the JAWS.



2. Install the soft closer trigger

Screw the trigger into the track so that the bar is the same distance from the wall ("X"). First screw the main plate to the track, and then a single screw through the piece that rotates down to hold it up in position. This last single screw and the grub screw allows you to adjust the height of the bar if required. Its this bar that will engage with the JAWS.



3. Adjust and fine tune the door

Install the door and adjust the height of the door (using height adjustment screws on the bottom wheels), so the bar on the trigger meets the JAWS on the soft close unit. Alternatively, you can adjust the height of the bar (via the grub & middle screw). You need to be patient with this bit, as its difficult to see up in the track. A certain amount of trial and error is required. Once you have the height correctly adjusted, the bar engages the JAWS and the door will soft close

