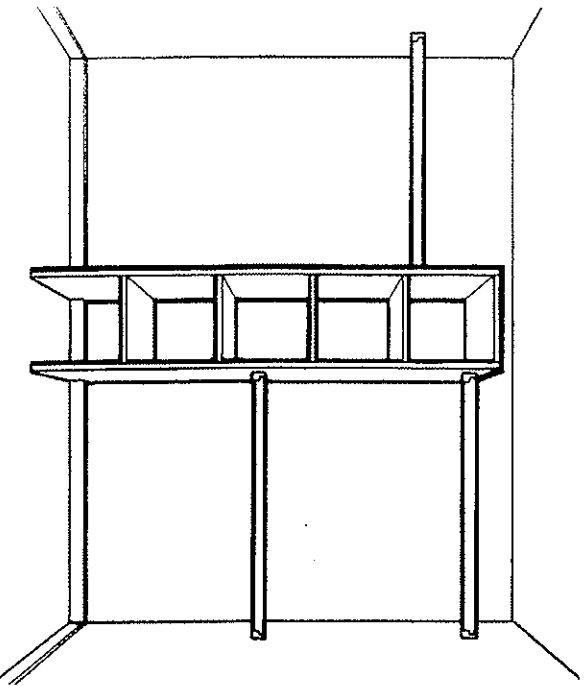


# Sliding

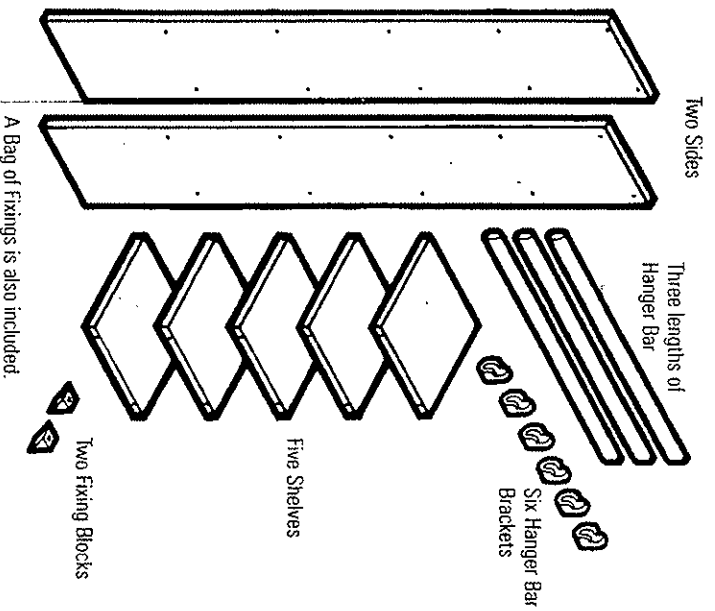
# Wardrobes

## How to install your WARDROBE INTERIOR UNIT

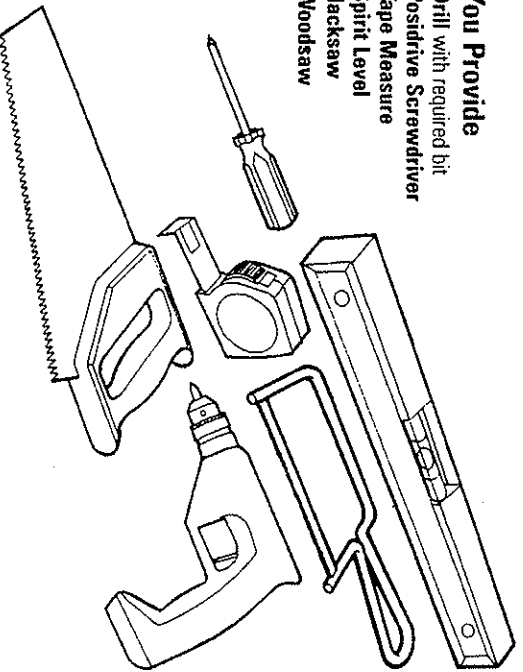
READ CAREFULLY THROUGH THESE  
INSTRUCTIONS BEFORE YOU START



**We provide** the following components in your Wardrobe Interior Pack. Check against the table below that you have all the parts before you begin. If you have any parts missing or any queries please telephone our Customer Services Department during normal office hours on 0114 275 4099, who will deal with your problem immediately.

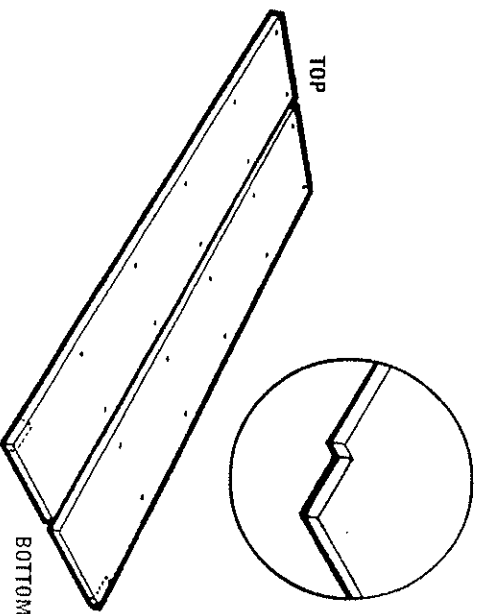


**You Provide**  
Drill with required bit  
Positive Screwdriver  
Tape Measure  
Spirit Level  
Hacksaw  
Woodsaw



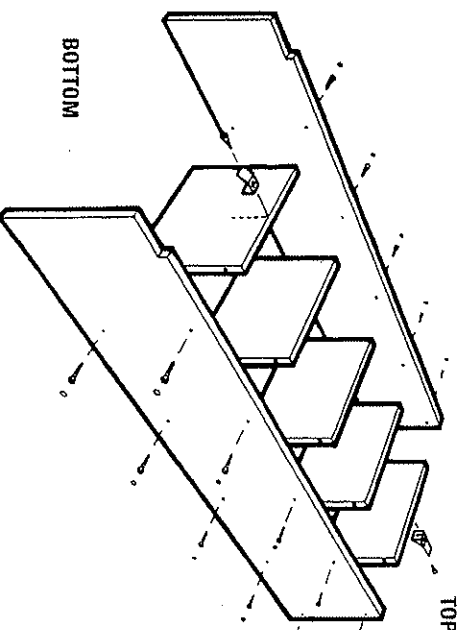
### 1 Cut Sides for Skirting - if required

Lay down the two vertical sides with the faced edges touching. After measuring the width and height of your skirting, mark these dimensions onto the outer bottom corner of both sides. Cut out with a saw.



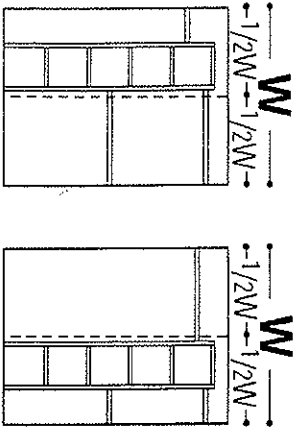
### 2 Assemble Unit

Assemble with the faced edges down. Securely fix the five shelves with the **LONG** screws supplied. (45mm No.8). Cover screw heads with caps. Fix two Fixing Blocks to the central back edge of both top and bottom shelves as shown using **SHORT** screws supplied. (15mm No.8).

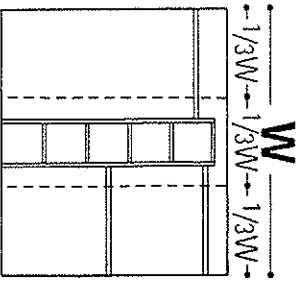


### 3 Fix Interior Unit to Back Wall

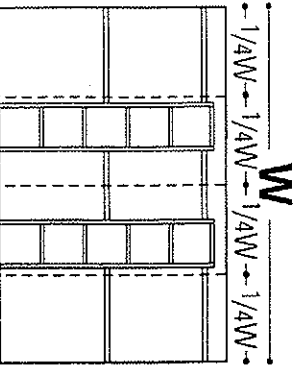
For the correct positioning of your Interior Unit, follow the guides shown here. Failure to follow this step could result in the optional Drawers not opening when the the Doors are installed.



2 DOORS



3 DOORS

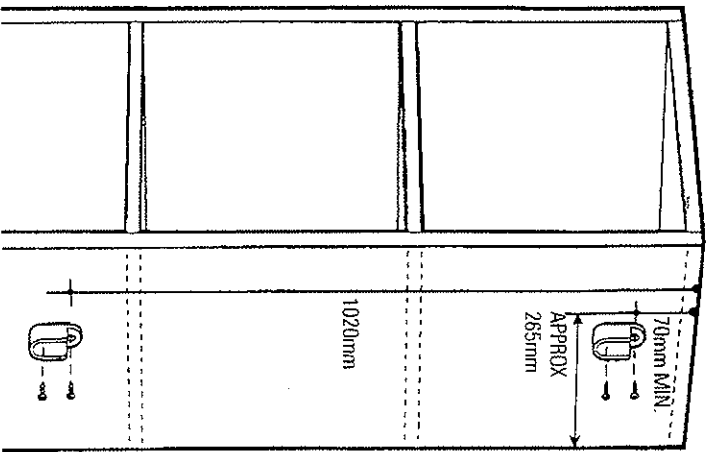


4 DOORS

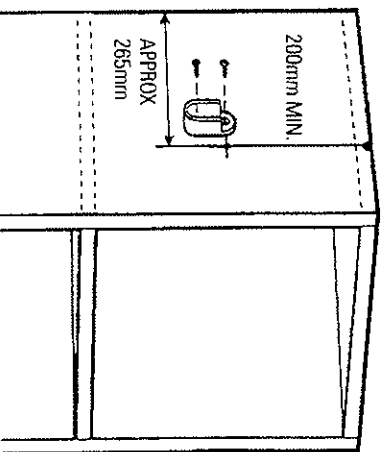
### 4 Attach Hanger Bar Brackets to Interior Unit

Select three of the six brackets. Position as chosen in Step 3 and fix approximately 265mm from the back wall using 15mm x No. 8 countersunk screws supplied. If you want to put an optional top shelf above the hanger bar allow a minimum 50mm space above the bracket.

#### Double Hanging

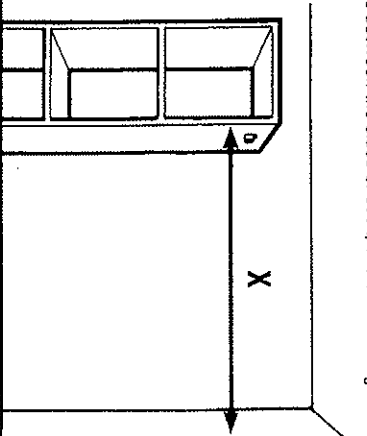


#### Single Hanging



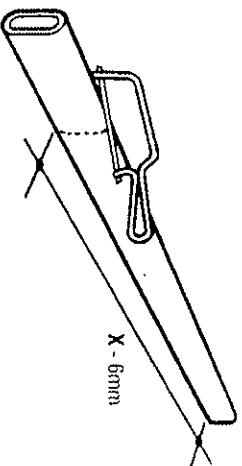
### 5 Measure Length of Hanger Bar

Measure the horizontal distance between the side of the Interior Unit and the wall or end panel, or when using two Interior Units, the distance between the sides of each, and call this length X.



### 6 Cut the Hanger Bar to Length

The length of the Hanger Bar required is X less 6mm. Cut the Hanger Bar to length using a hacksaw.



### 7 Locate Position of Hanger Bracket on Opposite Wall or End Panel

Insert one end of cut Hanger Bar into the Hanger Bar Bracket on the Interior Unit and insert a loose bracket onto the opposite end. Using a Spirit Level, raise the Hanger Bar until horizontal and mark the position of the second bracket 265mm off the back wall, end panel or other Interior Unit. Drill and plug as required. Remove the Hanger Bar Bracket from the Bar and fix. Relocate Hanger Bar between Brackets.

