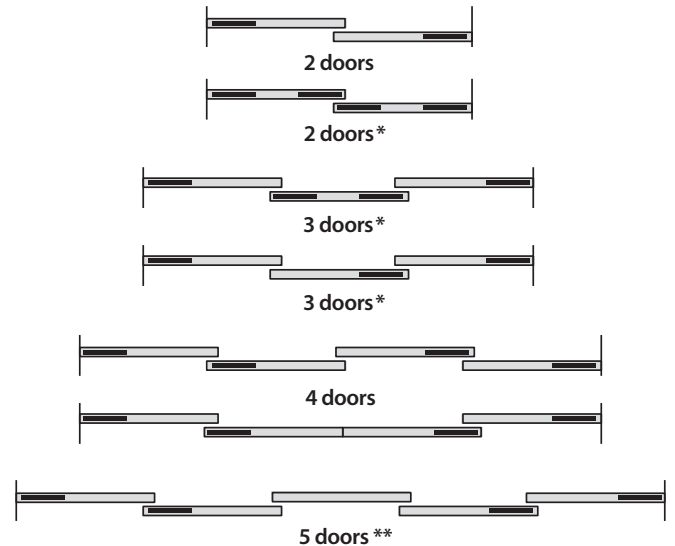


9. Soft-close mechanisms

If you have ordered soft-closers these will come pre-fitted to the top of your wardrobe doors. Each soft-close mechanism requires a wall liner or wall to work against and so the maximum number of doors possible in a two-track arrangement using soft closers is four (two front doors and two rear doors). In 5-door arrangements the central door cannot be fitted with a soft-close mechanism.

The diagram opposite shows the positions of the soft-close mechanisms, depending upon which door arrangement is ordered.

To enable the doors to close softly you will also need to fix a 'soft-close activator' to the top track for each soft-close mechanism fitted. The correct number of soft-close activators will be delivered with your doors. For correct positioning/fixing of the soft-close activator please see the next step.



* In 2-door or 3-door arrangements where two soft-closers are fitted to each end of a single door, the door must be a minimum width of 950mm to allow both soft-closers to be installed. Doors fitted with a single soft-closer must be a minimum width of 650mm.

** In 5-door arrangements the central door cannot be fitted with a soft-close mechanism.

9.1 Fixing the soft-close activators

Measure Soft Close Alignment

Locate the damper (soft close unit) fitted onto the top of the door. Measure from the outer edge of the door (the side where the damper is fitted) to the first notch of the green arm in the damper channel.

Note this measurement — it determines where the activator will be installed in the top track.

Mark the Top Track

Transfer the measurement to the top track, marking the position where the green pin of the activator will align. Important: The green pin on the activator should face away from the edge of the wardrobe that the door closes up to — this ensures correct triggering of the soft close. Hold the activator in place on the top track, with its green pin aligned to your mark. Mark the drilling points through the activator's mounting holes. Using a 3mm pilot drill bit, drill into the center of the top track channel where the activator will be fixed.

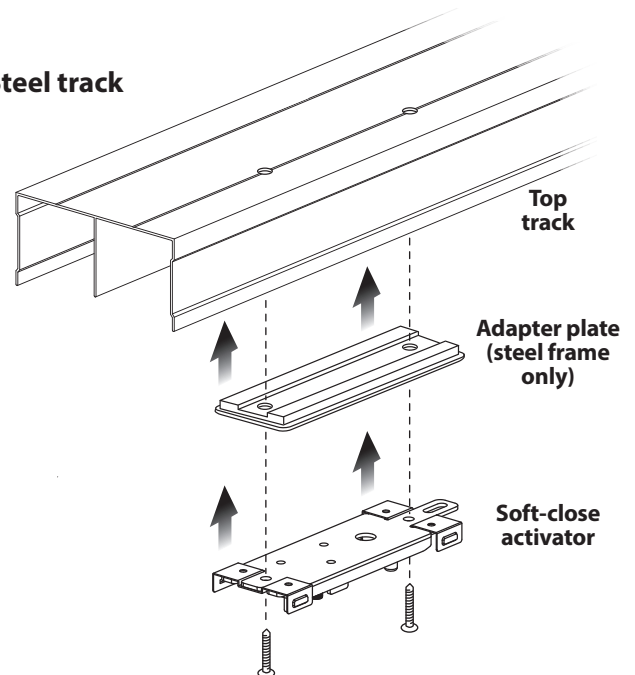
Fit the Activator

For steel doors use the adapter plate (if provided) between the activator and the track to ensure a level fit. The adapter plate will clip onto the activator before securing it in the top track.

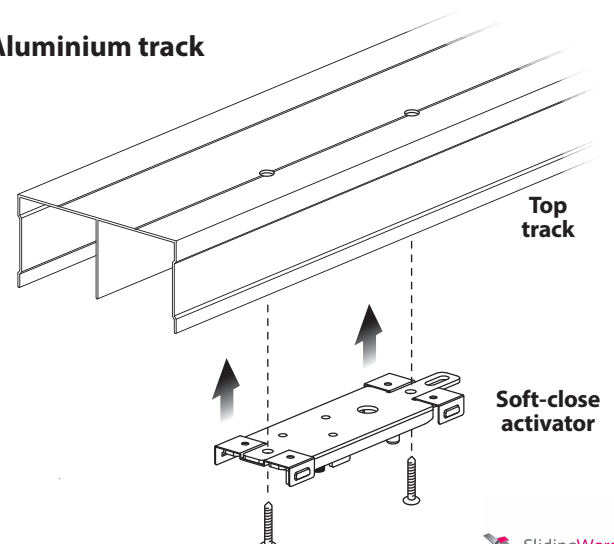
For aluminium doors fix the activator directly to the track using self-tapping screws.

Ensure the metal lug or green pin points away from the wall end of the track.

a. Steel track



b. Aluminium track



9.2 Priming the soft-close activators

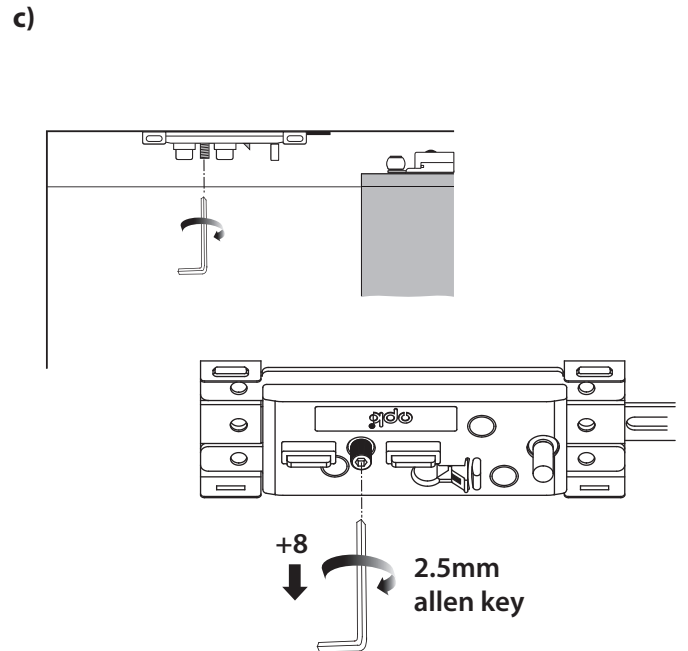
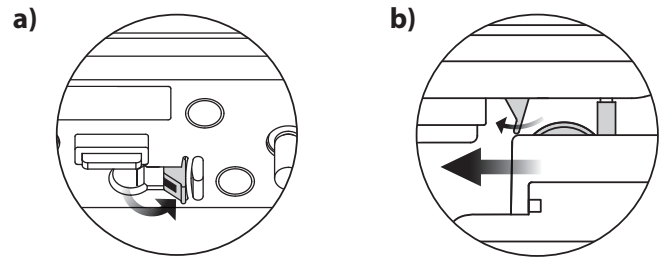
If it is already flush with the surface of the soft-close activator, flick the green plastic height indicator peg **up** so that it protrudes from the surface of the activator – see illustration **a**. The height indicator peg needs to be positioned so that it just touches the top of the soft-close mechanism (fitted to the top of the wardrobe door) and connects with the green plastic wheel protruding from the top surface of the mechanism when the door is slid towards it – see illustration **b**.

To achieve the correct position:

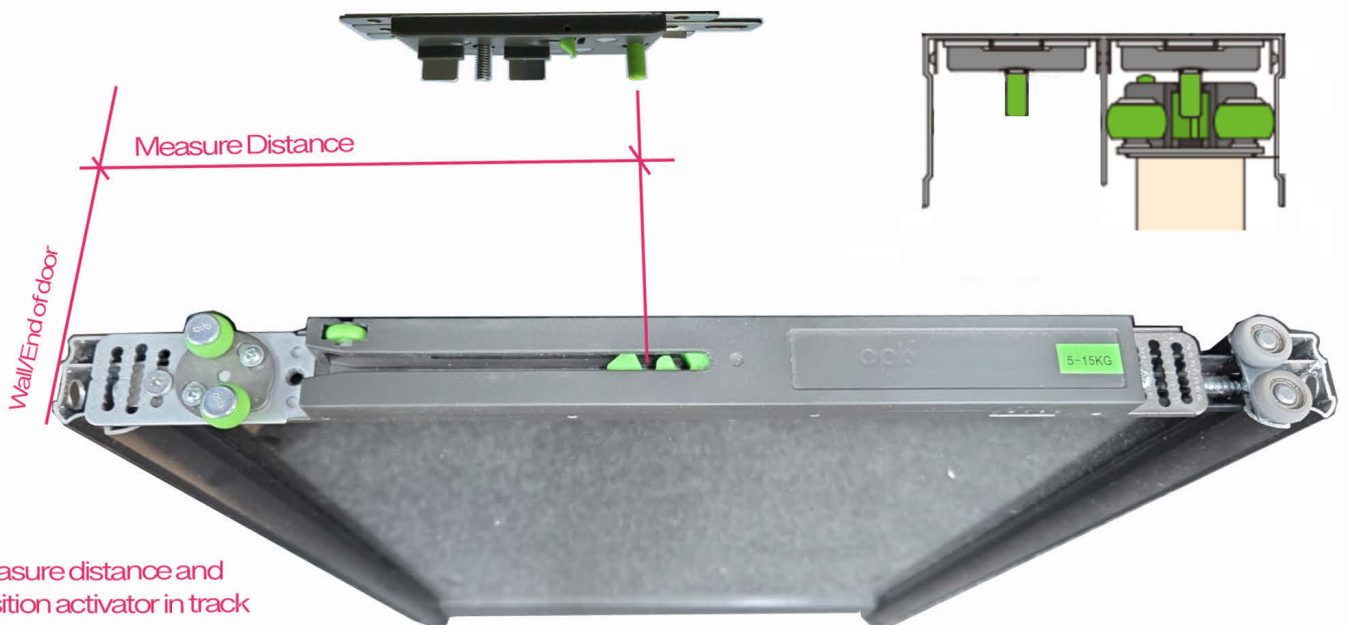
- either adjust the height of the door (see section 7) or;
- adjust the height of the soft-close activator using the screw thread and a 2.5mm diameter allen key – see illustration **c**.

The door is set to the correct height once you can close the door and you hear the audible 'click' of the height indicator peg being pushed closed. The soft-closer is now set up and should automatically soft-close the door when it is slid to this position.

Repeat the above steps to fit and prime each soft-close activator provided with your order.



EGGER Soft Close



Measure distance and position activator in track so the green pin is the same distance from the wall

SlidingWardrobeWorld
The World of Sliding Wardrobes Delivered to Your Door